

# RL801 THRU RL807

## GLASS PASSIVATED SILICON RECTIFIER



**REVERSE VOLTAGE:** 50 to 1000 VOLTS

**FORWARD CURRENT:** 8.0 AMPERE

### FEATURES

- Low forward voltage drop
- High current capability
- High capability
- High surge current capability

### MECHANICAL DATA

Case: Molded plastic, TO-220A

Epoxy: UL 94V-O rate flame retardant

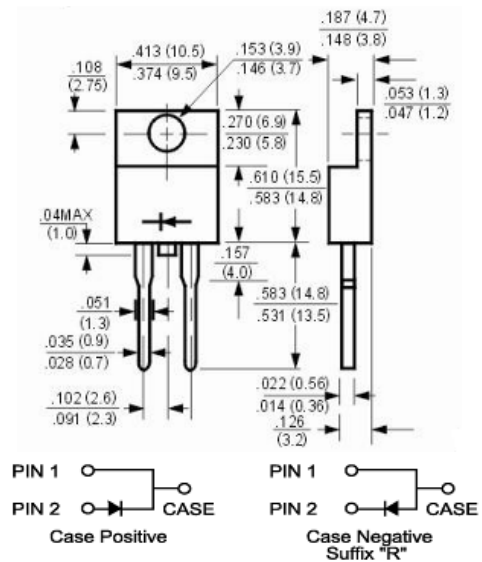
Terminals: Leads solderable per MIL-STD-202 method 208 guaranteed

Polarity: As marked

Mounting position: Any

Weight: 0.08ounce, 2.24gram

### TO-220A



Dimensions in inches and (millimeters)

### Maximum Ratings and Electrical Characteristics

Ratings at 25°C ambient temperature unless otherwise specified.

Single phase, half wave, 60Hz, resistive or inductive load.

For capacitive load, derate current by 20%.

	Symbols	RL801	RL802	RL803	RL804	RL805	RL806	RL807	Units
Maximum Recurrent Peak Reverse Voltage	$V_{RRM}$	50	100	200	400	600	800	1000	Volts
Maximum RMS Voltage	$V_{RMS}$	35	70	140	280	420	560	700	Volts
Maximum DC Blocking Voltage	$V_{DC}$	50	100	200	400	600	800	1000	Volts
Maximum Average Forward Rectified Current .375"(9.5mm) Lead Length at $T_C=100^\circ\text{C}$	$I_{(AV)}$	8.0							Amp
Peak Forward Surge Current, 8.3ms single half-sine-wave superimposed on rated load (JEDEC method)	$I_{FSM}$	150							Amp
Maximum Forward Voltage at 8.0A DC and 25°C	$V_F$	1.1							Volts
Maximum Reverse Current at $T_C=25^\circ\text{C}$ at Rated DC Blocking Voltage $T_C=125^\circ\text{C}$	$I_R$	5.0 100							uAmp
Typical Junction Capacitance (Note 1)	$C_J$	50							pF
Typical Thermal Resistance (Note 2)	$R_{\theta JC}$	2.5							°C/W
Operating and Storage Temperature Range	$T_J, T_{stg}$	-55 to +150							°C

### NOTES:

1- Measured at 1 MHz and applied reverse voltage of 4.0 VDC.

2- Thermal Resistance from Junction to Case Mounted on Heatsink.

# RL801 THRU RL807

## GLASS PASSIVATED SILICON RECTIFIER

### RATINGS AND CHARACTERISTIC CURVES

FIG.1- MAXIMUM FORWARD CURRENT DERATING CURVE

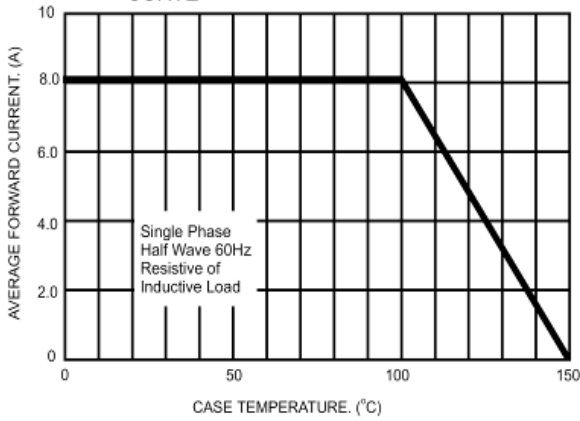


FIG.2- MAXIMUM NON-REPETITIVE FORWARD SURGE CURRENT

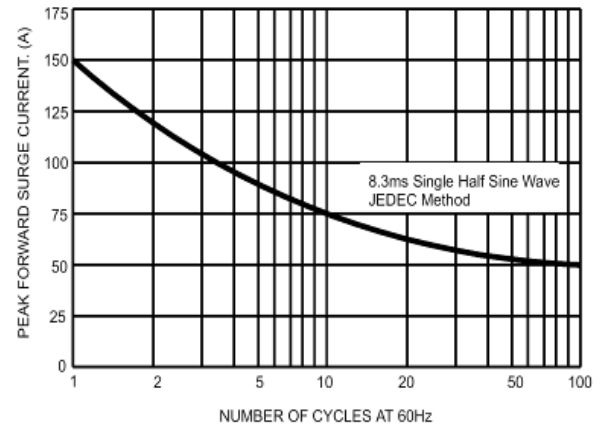


FIG.3- TYPICAL INSTANTANEOUS FORWARD CHARACTERISTICS

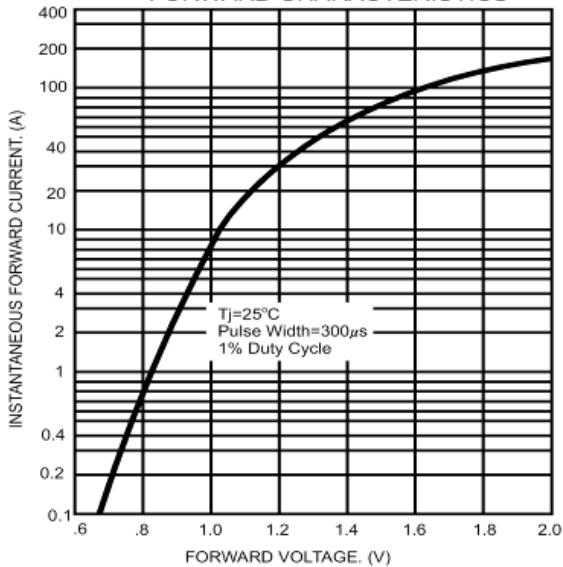


FIG.4- TYPICAL REVERSE CHARACTERISTICS

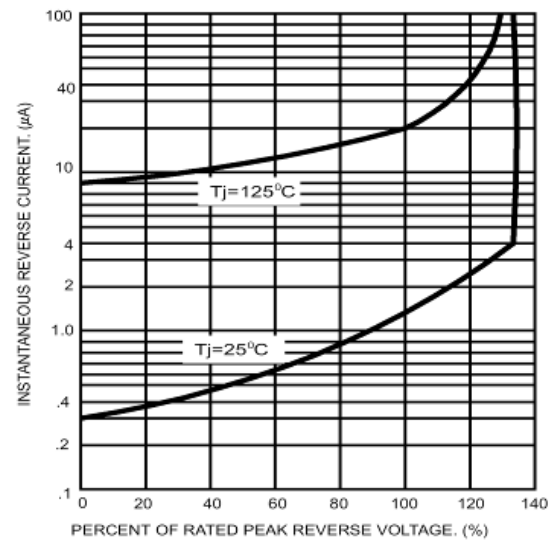


FIG.5- TYPICAL JUNCTION CAPACITANCE

