

## NCE N-Channel Enhancement Mode Power MOSFET

### General Description

The NCE7560K uses advanced trench technology and design to provide excellent  $R_{DS(ON)}$  with low gate charge. It can be used in a wide variety of applications.

### Features

- $V_{DS}=75V$ ;  $I_D=60A@V_{GS}=10V$ ;  
 $R_{DS(ON)}<8.5m\Omega @V_{GS}=10V$
- Special process technology for high ESD capability
- Special designed for Convertors and power controls
- High density cell design for ultra low  $R_{dson}$
- Fully characterized Avalanche voltage and current
- Good stability and uniformity with high  $E_{AS}$
- Excellent package for good heat dissipation

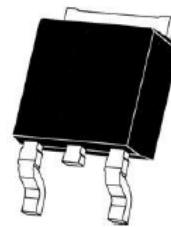
### Application

- Power switching application
- Hard Switched and High Frequency Circuits
- Uninterruptible Power Supply

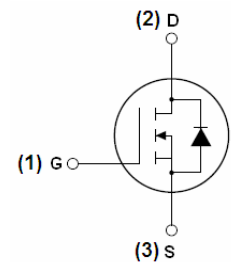
### Product Summary

$BV_{DSS}$ typ.	<b>84</b>	V
$R_{DS(ON)}$ typ.	<b>6.8</b>	m $\Omega$
	<b>8.5</b>	m $\Omega$
$I_D$	<b>60</b>	A

**100% UIS TESTED!**



TO-252-2L top view



Schematic diagram

### Package Marking and Ordering Information

Device Marking	Device	Device Package	Reel Size	Tape width	Quantity
NCE7560K	NCE7560K	TO-252-2L	-	-	-

**Table 1. Absolute Maximum Ratings ( $T_C=25^\circ C$ )**

Parameter	Symbol	Value	Unit
Drain-Source Voltage ( $V_{GS}=0V$ )	$V_{DS}$	75	V
Gate-Source Voltage ( $V_{DS}=0V$ )	$V_{GS}$	$\pm 20$	V
Drain Current (DC) at $T_C=25^\circ C$	$I_{D(DC)}$	60	A
Drain Current (DC) at $T_C=100^\circ C$	$I_{D(DC)}$	42	A
Drain Current-Continuous@ Current-Pulsed (Note 1)	$I_{DM(pluse)}$	310	A
Peak diode recovery voltage	$dv/dt$	30	V/ns
Maximum Power Dissipation( $T_C=25^\circ C$ )	$P_D$	140	W
Derating factor		0.95	W/ $^\circ C$
Single pulse avalanche energy (Note 2)	$E_{AS}$	300	mJ
Operating Junction and Storage Temperature Range	$T_J, T_{STG}$	-55 To 175	$^\circ C$

**Notes** 1.Repetitive Rating: Pulse width limited by maximum junction temperature

2.EAS condition:  $T_J=25^\circ C, V_{DD}=37.5V, V_G=10V, L=0.5mH$

**Table 2. Thermal Characteristic**

Parameter	Symbol	Value	Unit
Thermal Resistance, Junction-to-Case (Maximum)	$R_{thJC}$	1.05	$^{\circ}C/W$
Thermal Resistance, Junction-to-Ambient (Maximum)	$R_{thJA}$	50	$^{\circ}C/W$

**Table 3. Electrical Characteristics ( $T_C=25^{\circ}C$  unless otherwise noted)**

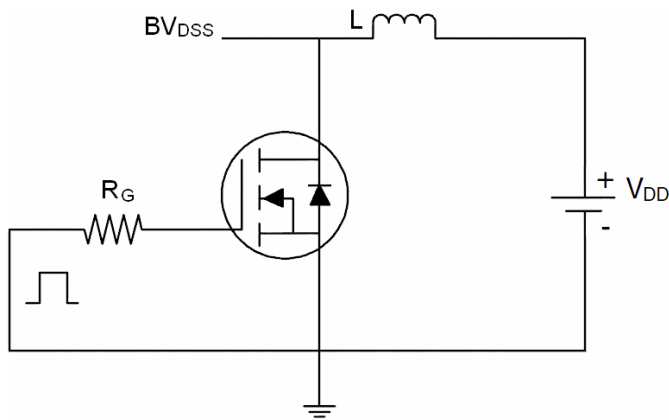
Parameter	Symbol	Condition	Min	Typ	Max	Unit
<b>On/off states</b>						
Drain-Source Breakdown Voltage	$BV_{DSS}$	$V_{GS}=0V, I_D=250\mu A$	75	84	-	V
Zero Gate Voltage Drain Current( $T_C=25^{\circ}C$ )	$I_{DSS}$	$V_{DS}=75V, V_{GS}=0V$	-	-	1	$\mu A$
Zero Gate Voltage Drain Current( $T_C=125^{\circ}C$ )	$I_{DSS}$	$V_{DS}=75V, V_{GS}=0V$	-	-	10	$\mu A$
Gate-Body Leakage Current	$I_{GSS}$	$V_{GS}=\pm 20V, V_{DS}=0V$	-	-	$\pm 100$	nA
Gate Threshold Voltage	$V_{GS(th)}$	$V_{DS}=V_{GS}, I_D=250\mu A$	2	3	4	V
Drain-Source On-State Resistance	$R_{DS(on)}$	$V_{GS}=10V, I_D=30A$	-	6.8	8.5	m $\Omega$
<b>Dynamic Characteristics</b>						
Forward Transconductance	$g_{FS}$	$V_{DS}=5V, I_D=30A$		66	-	S
Input Capacitance	$C_{iss}$	$V_{DS}=25V, V_{GS}=0V,$ $F=1.0MHz$		4400	-	PF
Output Capacitance	$C_{oss}$			340	-	PF
Reverse Transfer Capacitance	$C_{rss}$			260	-	PF
Total Gate Charge	$Q_g$	$V_{DS}=30V, I_D=30A,$ $V_{GS}=10V$		100	-	nC
Gate-Source Charge	$Q_{gs}$			20	-	nC
Gate-Drain Charge	$Q_{gd}$			30	-	nC
<b>Switching times</b>						
Turn-on Delay Time	$t_{d(on)}$	$V_{DD}=30V, I_D=2A, R_L=15\Omega$ $V_{GS}=10V, R_G=2.5\Omega$	-	17.8	-	nS
Turn-on Rise Time	$t_r$		-	11.8	-	nS
Turn-Off Delay Time	$t_{d(off)}$		-	56	-	nS
Turn-Off Fall Time	$t_f$		-	14.6	-	nS
<b>Source- Drain Diode Characteristics</b>						
Source-drain current(Body Diode)	$I_{SD}$		-	-	80	A
Pulsed Source-drain current(Body Diode)	$I_{SDM}$		-	-	320	A
Forward on voltage <sup>(Note 1)</sup>	$V_{SD}$	$T_j=25^{\circ}C, I_{SD}=30A, V_{GS}=0V$	-	-	1.2	V
Reverse Recovery Time <sup>(Note 1)</sup>	$t_{rr}$	$T_j=25^{\circ}C, I_F=75A, di/dt=100A/\mu s$	-	-	36	nS
Reverse Recovery Charge <sup>(Note 1)</sup>	$Q_{rr}$		-	-	56	nC
Forward Turn-on Time	$t_{on}$	Intrinsic turn-on time is negligible(turn-on is dominated by $L_S+L_D$ )				

**Notes**

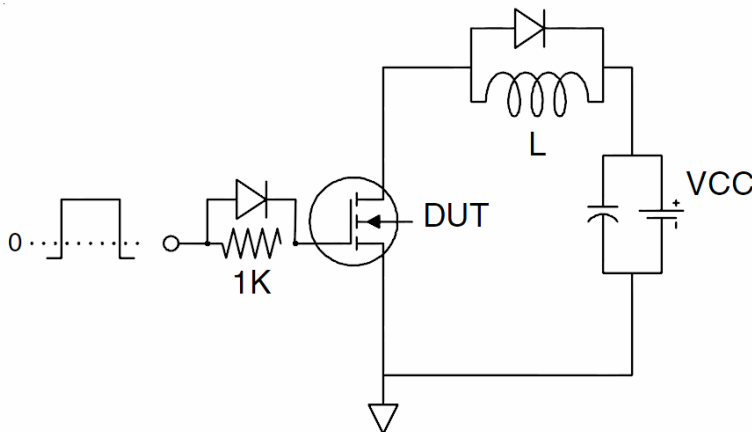
 1. Pulse Test: Pulse Width  $\leq 300\mu s$ , Duty Cycle  $\leq 1.5\%$ ,  $R_G=25\Omega$ , Starting  $T_j=25^{\circ}C$

**Test Circuit**

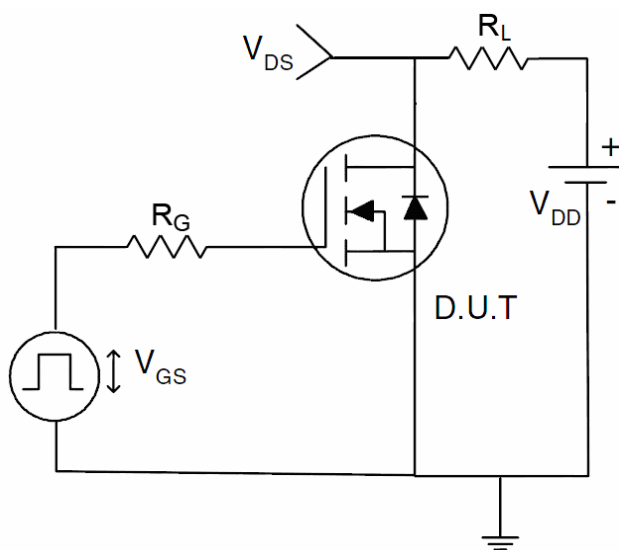
**1) E<sub>AS</sub> test circuit**



**2) Gate charge test circuit**



**3) Switch Time Test Circuit**



Typical Electrical and Thermal Characteristics (curves)

Figure1. Safe operating area

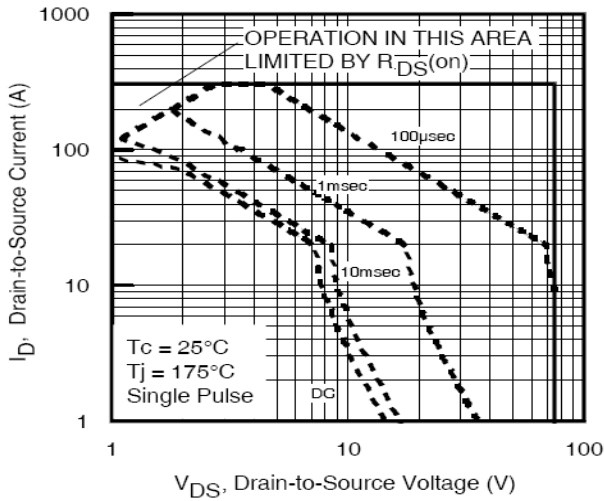


Figure2. Source-Drain Diode Forward Voltage

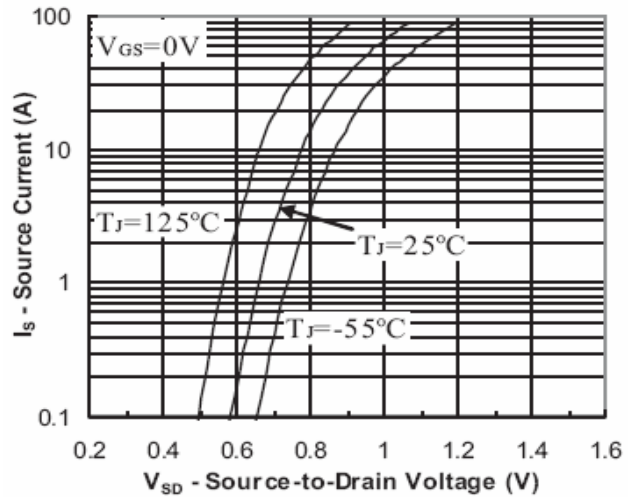


Figure3. Output characteristics

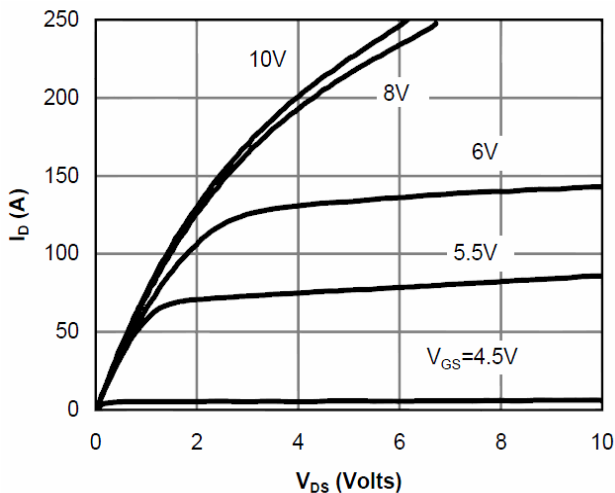


Figure4. Transfer characteristics

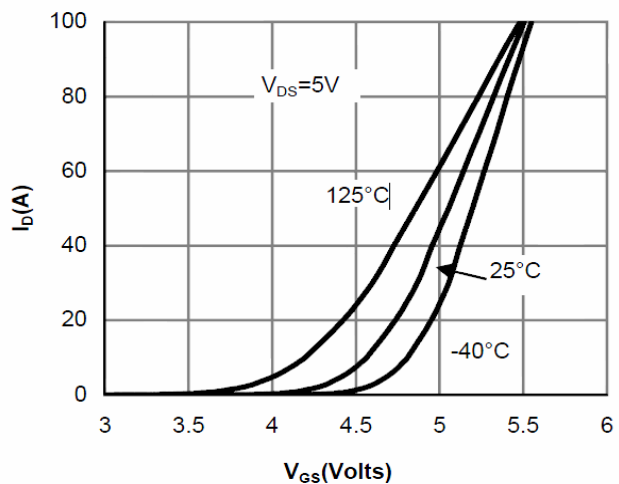


Figure5. Static drain-source on resistance

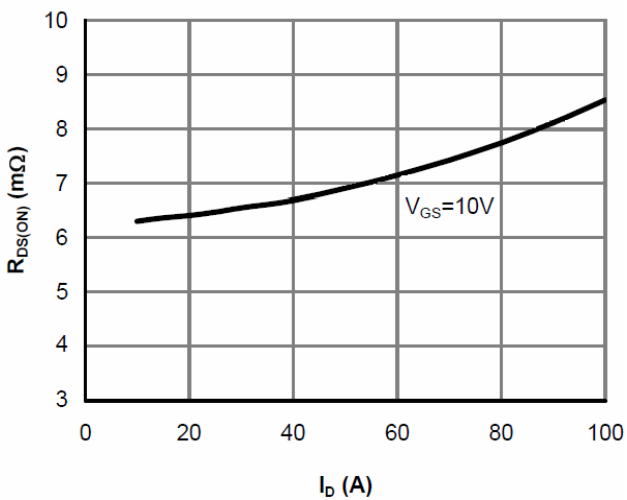


Figure6.  $R_{DS(ON)}$  vs Junction Temperature

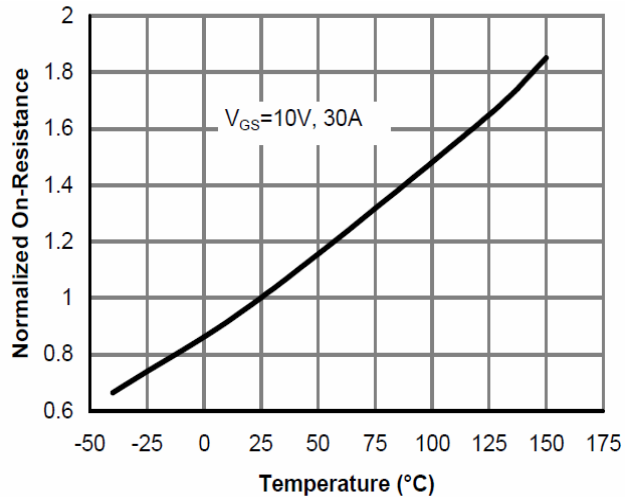


Figure7.  $BV_{DSS}$  vs Junction Temperature

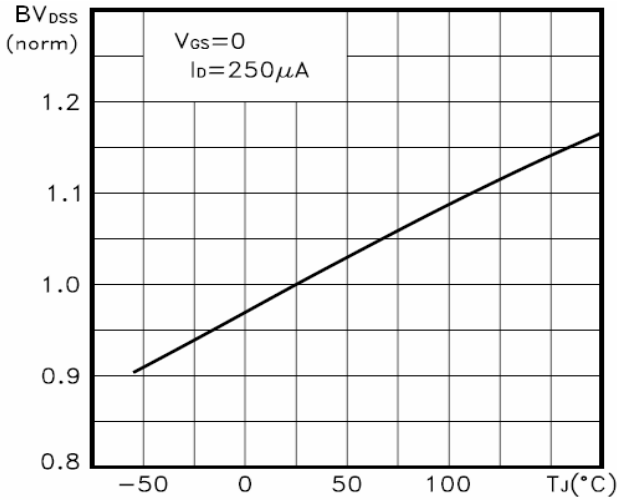


Figure8.  $V_{GS(th)}$  vs Junction Temperature

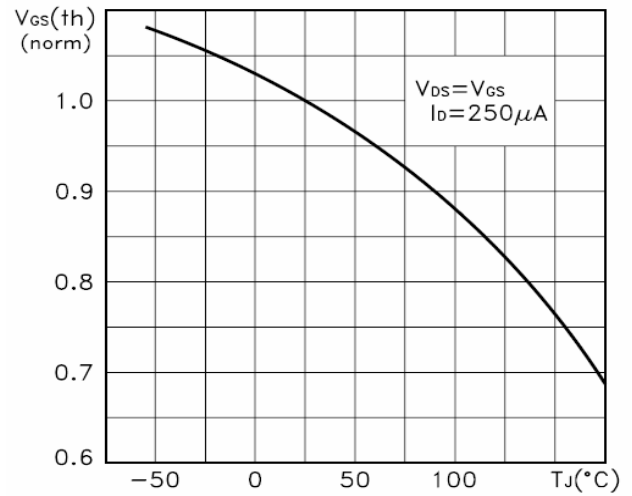


Figure9. Gate charge waveforms

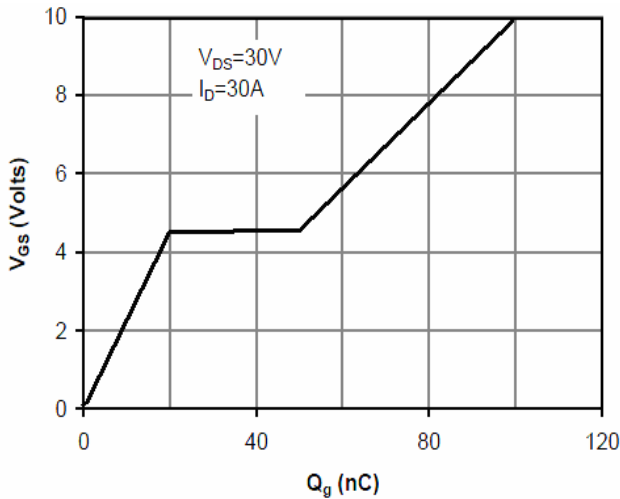


Figure10. Capacitance

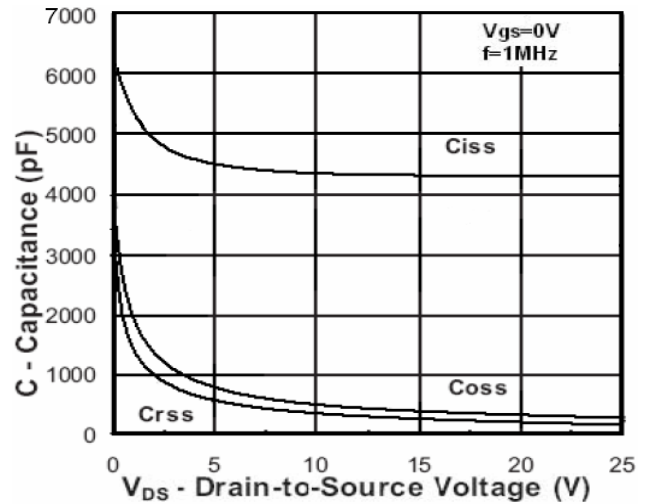
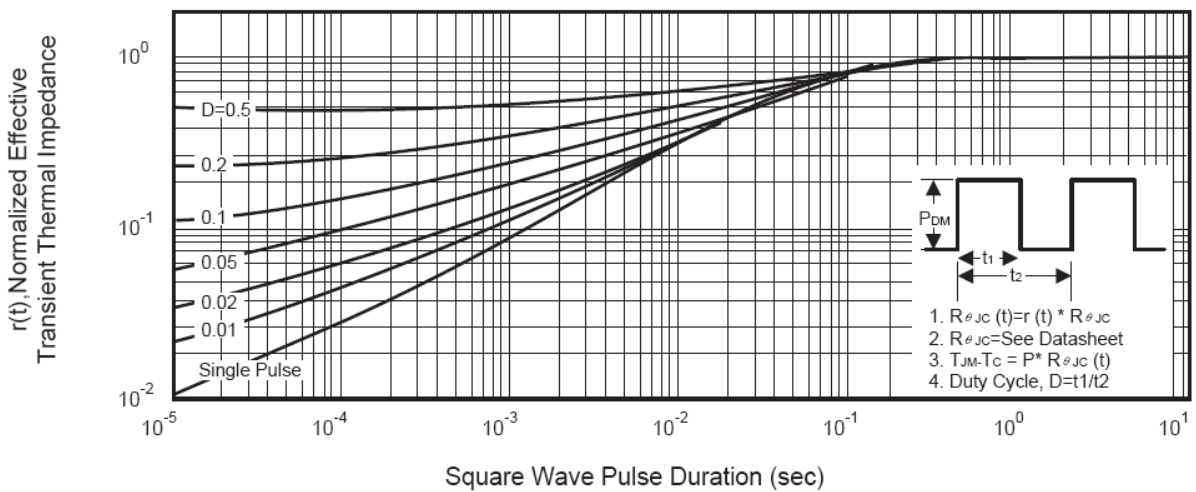
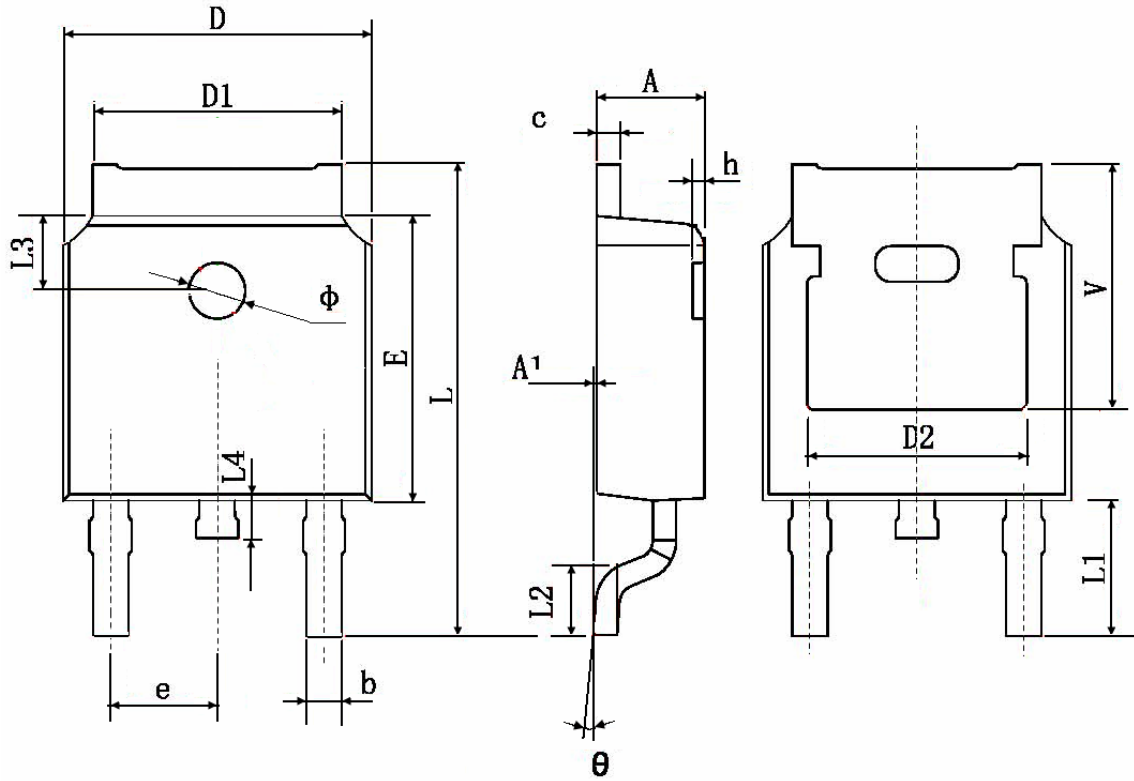


Figure11. Normalized Maximum Transient Thermal Impedance



TO-252 Package Information



Symbol	Dimensions In Millimeters		Dimensions In Inches	
	Min.	Max.	Min.	Max.
A	2.200	2.400	0.087	0.094
A1	0.000	0.127	0.000	0.005
b	0.660	0.860	0.026	0.034
c	0.460	0.580	0.018	0.023
D	6.500	6.700	0.256	0.264
D1	5.100	5.460	0.201	0.215
D2	4.830 TYP.		0.190 TYP.	
E	6.000	6.200	0.236	0.244
e	2.186	2.386	0.086	0.094
L	9.800	10.400	0.386	0.409
L1	2.900 TYP.		0.114 TYP.	
L2	1.400	1.700	0.055	0.067
L3	1.600 TYP.		0.063 TYP.	
L4	0.600	1.000	0.024	0.039
φ	1.100	1.300	0.043	0.051
θ	0°	8°	0°	8°
h	0.000	0.300	0.000	0.012
V	5.350 TYP.		0.211 TYP.	

## Attention

- Any and all NCE products described or contained herein do not have specifications that can handle applications that require extremely high levels of reliability, such as life-support systems, aircraft's control systems, or other applications whose failure can be reasonably expected to result in serious physical and/or material damage. Consult with your NCE representative nearest you before using any NCE products described or contained herein in such applications.
- NCE assumes no responsibility for equipment failures that result from using products at values that exceed, even momentarily, rated values (such as maximum ratings, operating condition ranges, or other parameters) listed in products specifications of any and all NCE products described or contained herein.
- Specifications of any and all NCE products described or contained herein stipulate the performance, characteristics, and functions of the described products in the independent state, and are not guarantees of the performance, characteristics, and functions of the described products as mounted in the customer's products or equipment. To verify symptoms and states that cannot be evaluated in an independent device, the customer should always evaluate and test devices mounted in the customer's products or equipment.
- NCE Power Semiconductor CO.,LTD. strives to supply high-quality high-reliability products. However, any and all semiconductor products fail with some probability. It is possible that these probabilistic failures could give rise to accidents or events that could endanger human lives, that could give rise to smoke or fire, or that could cause damage to other property. When designing equipment, adopt safety measures so that these kinds of accidents or events cannot occur. Such measures include but are not limited to protective circuits and error prevention circuits for safe design, redundant design, and structural design.
- In the event that any or all NCE products(including technical data, services) described or contained herein are controlled under any of applicable local export control laws and regulations, such products must not be exported without obtaining the export license from the authorities concerned in accordance with the above law.
- No part of this publication may be reproduced or transmitted in any form or by any means, electronic or mechanical, including photocopying and recording, or any information storage or retrieval system, or otherwise, without the prior written permission of NCE Power Semiconductor CO.,LTD.
- Information (including circuit diagrams and circuit parameters) herein is for example only ; it is not guaranteed for volume production. NCE believes information herein is accurate and reliable, but no guarantees are made or implied regarding its use or any infringements of intellectual property rights or other rights of third parties.
- Any and all information described or contained herein are subject to change without notice due to product/technology improvement, etc. When designing equipment, refer to the "Delivery Specification" for the NCE product that you intend to use.
- This catalog provides information as of Mar. 2010. Specifications and information herein are subject to change without notice.