

TO-92 Plastic-Encapsulate Transistors

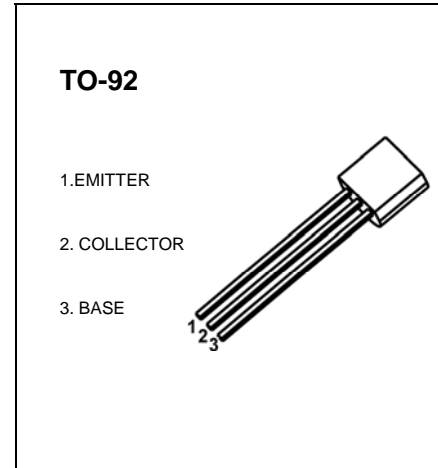
D965 TRANSISTOR (NPN)

FEATURES

- Audio Amplifier
- Flash Unit of Camera
- Switching Circuit

MAXIMUM RATINGS (T_a=25°C unless otherwise noted)

Symbol	Parameter	Value	Units
V _{CB0}	Collector-Base Voltage	42	V
V _{CEO}	Collector-Emitter Voltage	22	V
V _{EBO}	Emitter-Base Voltage	6	V
I _C	Collector Current -Continuous	5	A
P _C	Collector Power Dissipation	750	mW
T _J	Junction Temperature	150	°C
T _{stg}	Storage Temperature	-55-150	°C



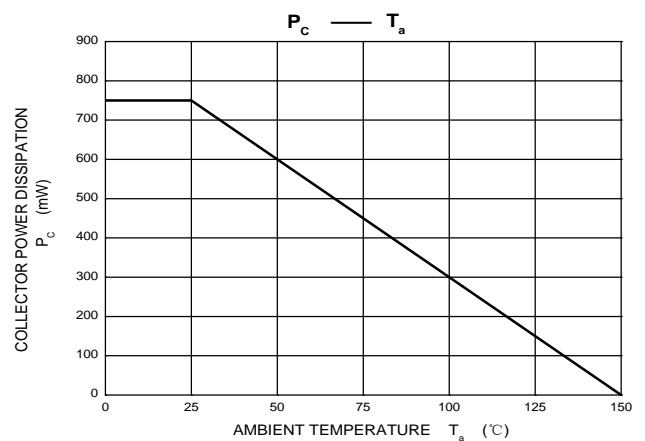
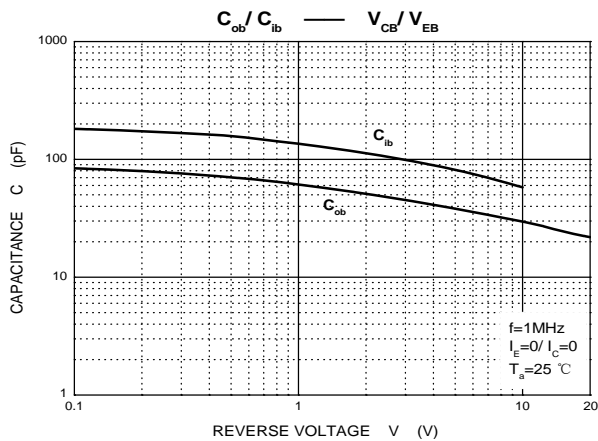
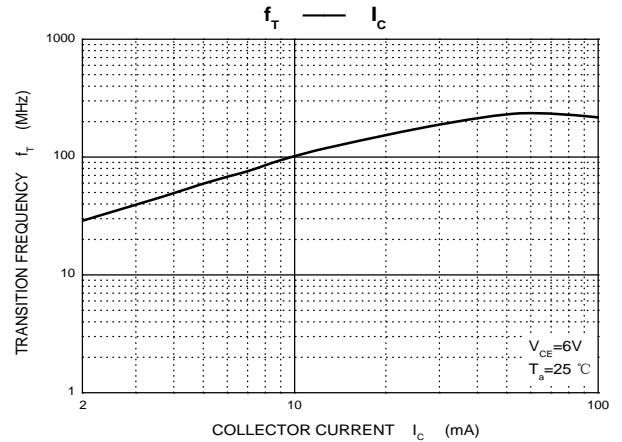
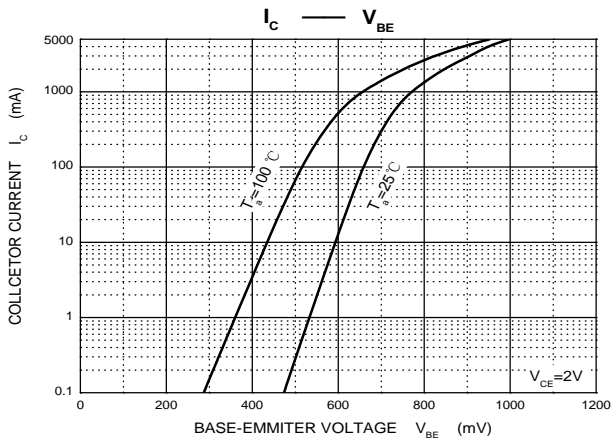
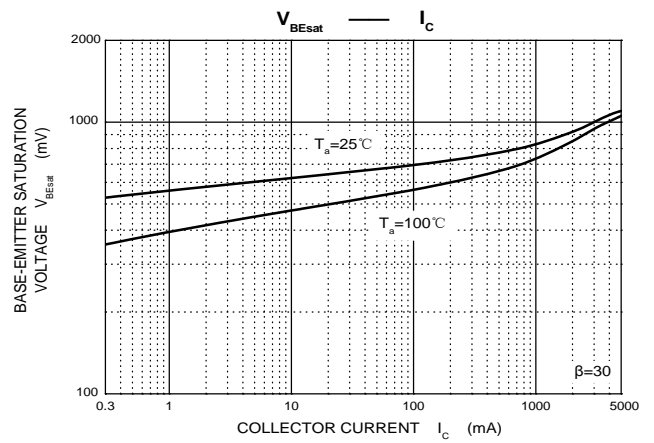
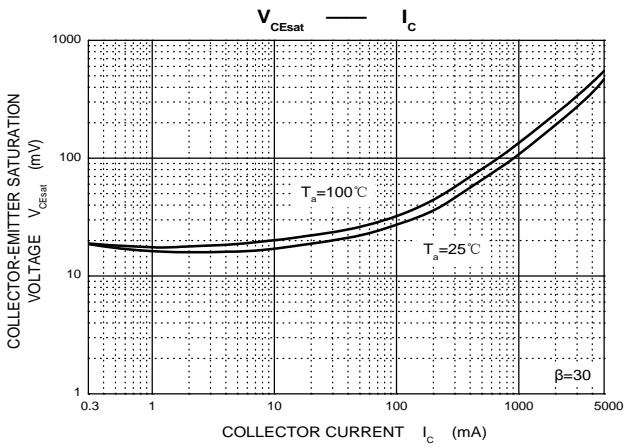
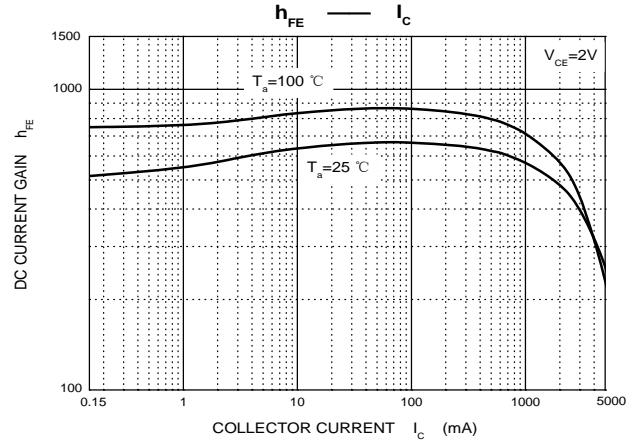
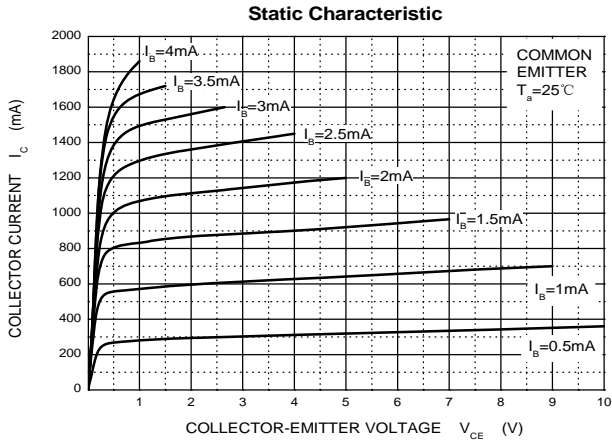
ELECTRICAL CHARACTERISTICS (T_a=25°C unless otherwise specified)

Parameter	Symbol	Test conditions	MIN	TYP	MAX	UNIT
Collector-base breakdown voltage	V _{(BR)CBO}	I _C =0.1mA, I _E =0	42			V
Collector-emitter breakdown voltage	V _{(BR)CEO}	I _C =1mA, I _B =0	22			V
Emitter-base breakdown voltage	V _{(BR)EBO}	I _E = 10μA, I _C =0	6			V
Collector cut-off current	I _{CB0}	V _{CB} =30V, I _E =0			0.1	μA
Emitter cut-off current	I _{EBO}	V _{EB} =6V, I _C =0			0.1	μA
DC current gain	h _{FE(1)}	V _{CE} =2V, I _C = 0.15 mA	150			
	h _{FE(2)}	V _{CE} = 2V, I _C = 500 mA	340		2000	
	h _{FE(3)}	V _{CE} =2V, I _C = 2A	150			
Collector-emitter saturation voltage	V _{CE(sat)}	I _C =3000mA, I _B =100 mA			0.35	V
Transition frequency	f _T	V _{CE} =6V, I _C =50mA, f=30MHz		150		MHz

CLASSIFICATION OF h_{FE(2)}

Rank	R	T	V
Range	340-600	560-950	900-2000

Typical Characteristics

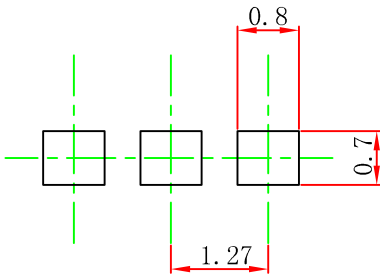


TO-92 Package Outline Dimensions



Symbol	Dimensions In Millimeters		Dimensions In Inches	
	Min	Max	Min	Max
A	3.300	3.700	0.130	0.146
A1	1.100	1.400	0.043	0.055
b	0.380	0.550	0.015	0.022
c	0.360	0.510	0.014	0.020
D	4.400	4.700	0.173	0.185
D1	3.430		0.135	
E	4.300	4.700	0.169	0.185
e	1.270 TYP		0.050 TYP	
e1	2.440	2.640	0.096	0.104
L	14.100	14.500	0.555	0.571
Φ		1.600		0.063
h	0.000	0.380	0.000	0.015

TO-92 Suggested Pad Layout



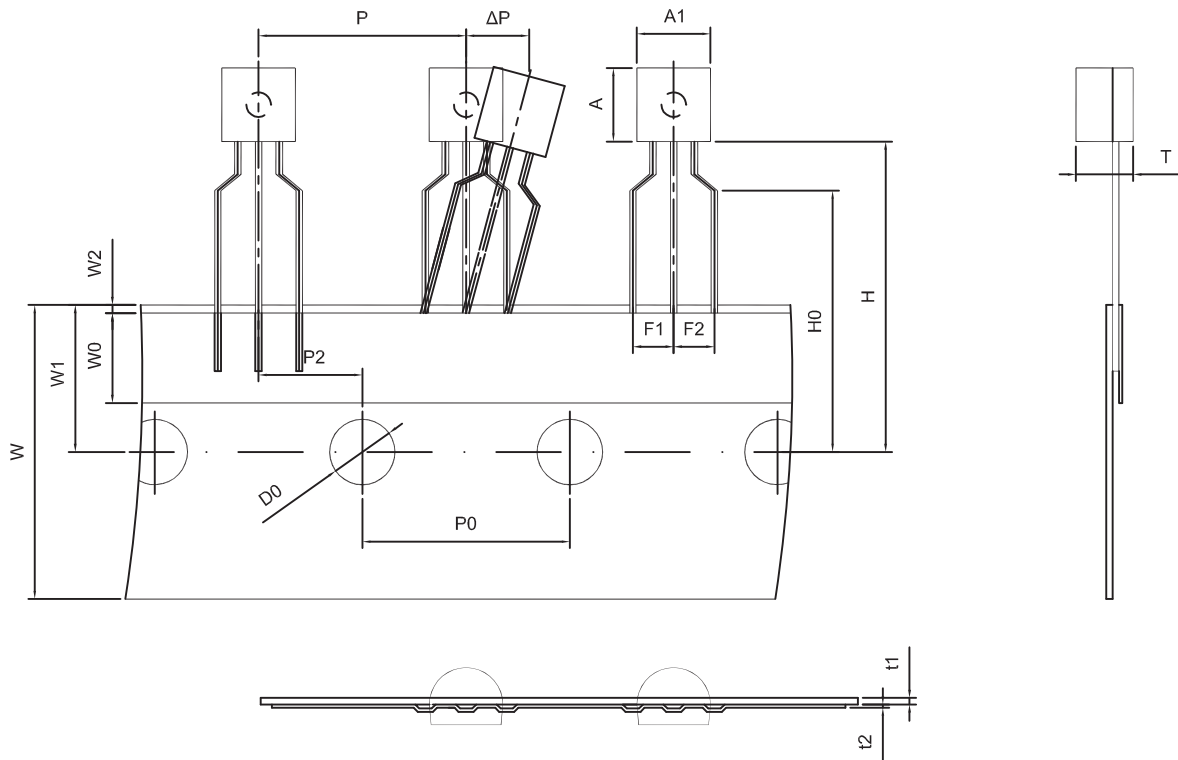
Note:

1. Controlling dimension: in millimeters.
2. General tolerance: $\pm 0.05\text{mm}$.
3. The pad layout is for reference purposes only.

NOTICE

JCET reserve the right to make modifications, enhancements, improvements, corrections or other changes without further notice to any product herein. JCET does not assume any liability arising out of the application or use of any product described herein.

TO-92 PACKAGE TAPEING DIMENSION



Dimiensions are in millimeter								
A1	A	T	P	P0	P2	F1	F2	W
4.5±0.2	4.5±0.2	3.5±0.2	12.7±0.3	12.7±0.2	6.35±0.3	2.5±0.3	2.5±0.3	18.0+1.0/-0.5
W0	W1	W2	H	H0	D0	t1	t2	ΔP
6.0±0.5	9.0±0.5	1.0 MAX.	19.0±1.0	16.0±0.5	4.0±0.5	0.4±0.05	0.2±0.05	0 ± 1.0



Package	Box	Box Size(mm)	Carton	Carton Size(mm)
TO-92	2000 pcs	333×162×43	20,000 pcs	350×340×250