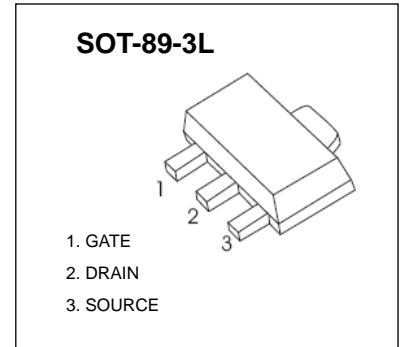




SOT-89-3L Plastic-Encapsulate MOSFETS

CJA9451 P-Channel 20-V(D-S) MOSFET

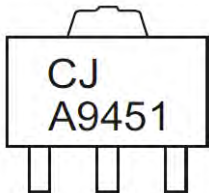
$V_{(BR)DSS}$	$R_{DS(on)MAX}$	I_D
-20V	135mΩ@-4.5V	-2.3A
	240mΩ@-2.5V	



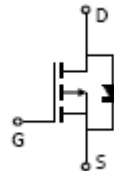
Description

The Advanced Power MOSFETs provide the designer with the best combination of fast switching, ruggedized device design, ultra low on- resistance and cost-effectiveness.

MARKING



Equivalent Circuit



Maximum ratings ($T_a=25^{\circ}C$ unless otherwise noted)

Parameter	Symbol	Value	Unit
Drain-Source Voltage	V_{DS}	-20	V
Continuous Gate-Source Voltage	V_{GS}	±12	
Continuous Drain Current	I_D	-2.3	A
Power Dissipation	P_D	0.5	W
Thermal Resistance from Junction to Ambient	$R_{\theta JA}$	250	$^{\circ}C/W$
Operating Temperature	T_j	150	$^{\circ}C$
Storage Temperature	T_{stg}	-55 ~+150	

MOSFET ELECTRICAL CHARACTERISTICS

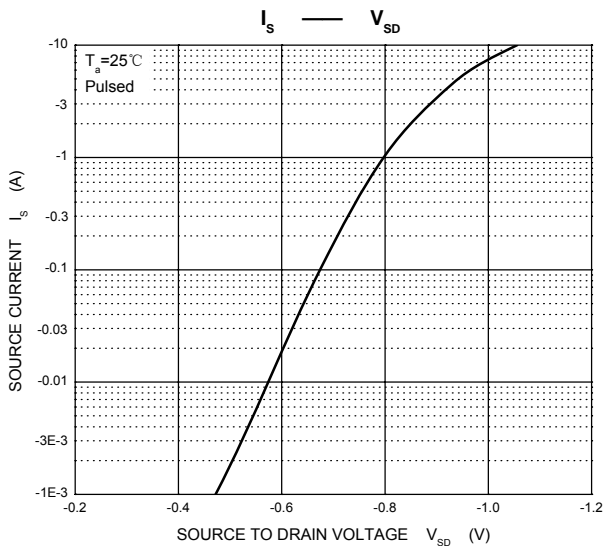
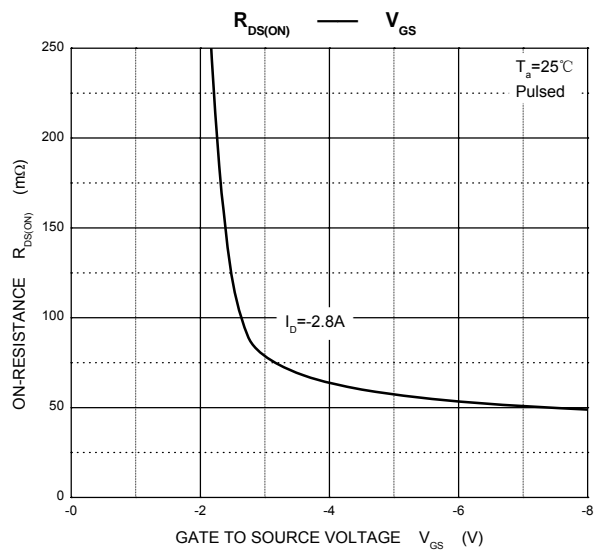
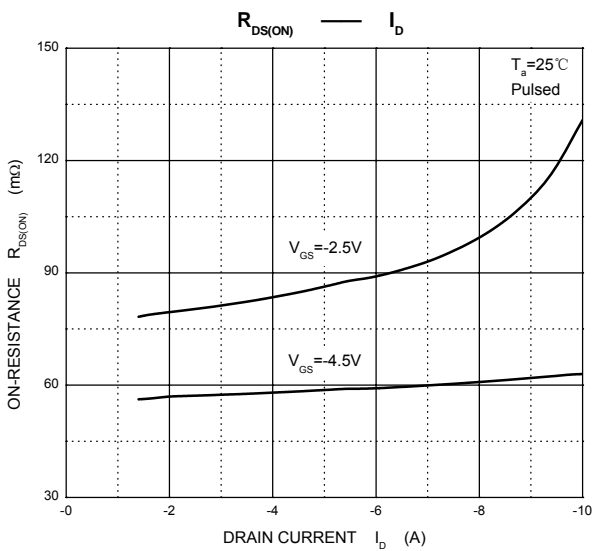
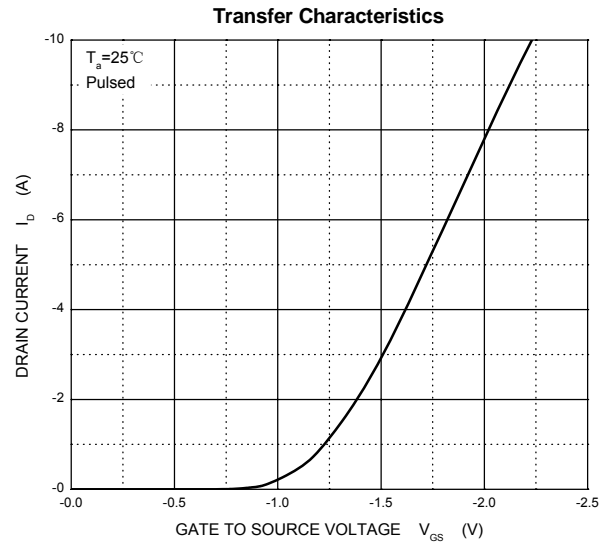
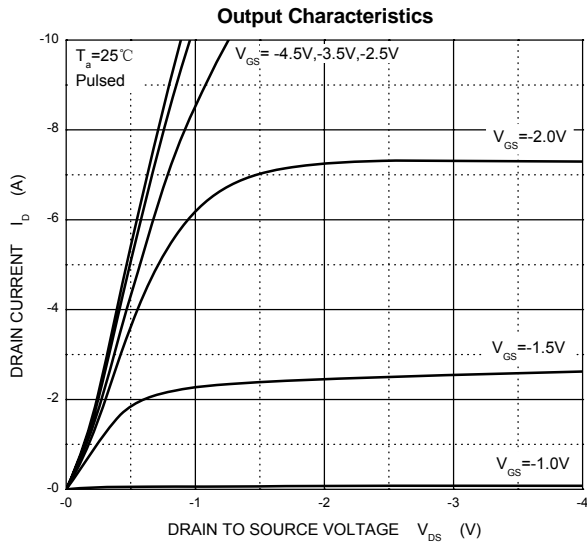
$T_a=25\text{ }^\circ\text{C}$ unless otherwise specified

Parameter	Symbol	Test Condition	Min	Typ	Max	Unit
Off characteristics						
Drain-source breakdown voltage	$V_{(BR)DSS}$	$V_{GS} = 0V, I_D = 10\mu A$	-20			V
Gate-body leakage	I_{GSS}	$V_{DS} = 0V, V_{GS} = \pm 12V$			± 100	nA
Zero gate voltage drain current	I_{DSS}	$V_{DS} = -20V, V_{GS} = 0V$			-1.0	μA
On characteristics						
Gate-threshold voltage	$V_{GS(th)}$	$V_{DS} = V_{GS}, I_D = -0.25mA$	-0.50	-0.7	-1.50	V
Static drain-source on-resistance (note 1)	$R_{DS(on)}$	$V_{GS} = -4.5V, I_D = -2.3A$		0.058	0.135	Ω
		$V_{GS} = -2.5V, I_D = -1.0A$		0.075	0.240	
Forward transconductance (note 1)	g_{fs}	$V_{DS} = -5V, I_D = -2.3A$	2.3			S
Dynamic characteristics (note 2)						
Input capacitance	C_{iss}	$V_{DS} = -20V, V_{GS} = 0V, f = 1MHz$			430	pF
Output capacitance	C_{oss}			100		
Reverse transfer capacitance	C_{rss}			35		
Switching characteristics						
Turn-on delay time (note 1,2)	$t_{d(on)}$	$V_{GS} = -5V, V_{DS} = -10V,$ $I_D = -1A, R_G = 3.3\Omega, R_D = 10\Omega$		9		ns
Rise time (note 2)	t_r			25		
Turn-off delay time (note 2)	$t_{d(off)}$			20		
Fall time (note 2)	t_f			10		
Drain-source body diode characteristics						
Body diode forward voltage (note 1)	V_{SD}	$I_S = -1A, V_{GS} = 0V$			-1.6	V

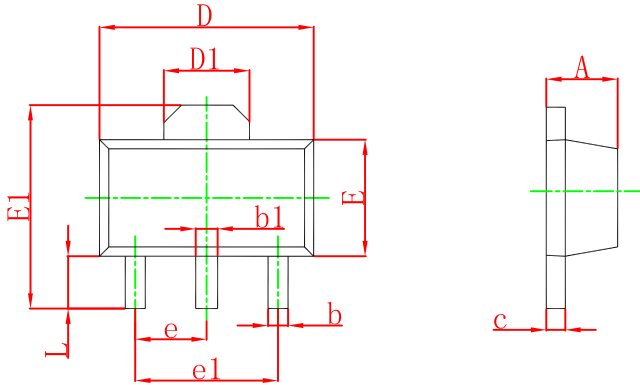
No tes:

1. Pulse Test ; Pulse Width $\leq 300\mu s$, Duty Cycle $\leq 2\%$.
2. These parameters have no way to verify.

Typical Characteristics

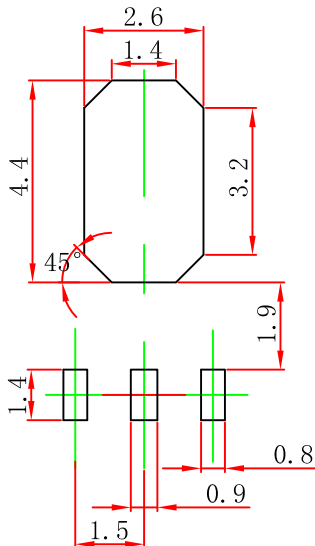


SOT-89-3L Package Outline Dimensions



Symbol	Dimensions In Millimeters		Dimensions In Inches	
	Min	Max	Min	Max
A	1.400	1.600	0.055	0.063
b	0.320	0.520	0.013	0.020
b1	0.400	0.580	0.016	0.023
c	0.350	0.440	0.014	0.017
D	4.400	4.600	0.173	0.181
D1	1.550 REF.		0.061 REF.	
E	2.300	2.600	0.091	0.102
E1	3.940	4.250	0.155	0.167
e	1.500 TYP.		0.060 TYP.	
e1	3.000 TYP.		0.118 TYP.	
L	0.900	1.200	0.035	0.047

SOT-89-3L Suggested Pad Layout



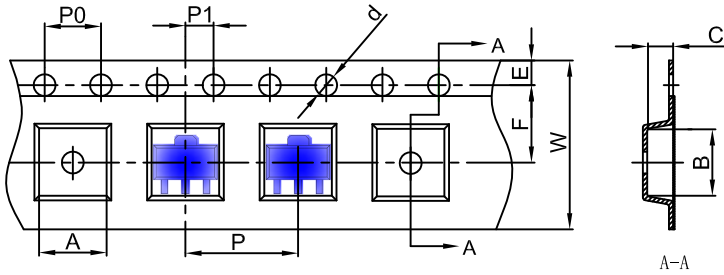
- Note:
1. Controlling dimension: in millimeters.
 2. General tolerance: $\pm 0.05\text{mm}$.
 3. The pad layout is for reference purposes only.

NOTICE

JCET reserve the right to make modifications, enhancements, improvements, corrections or other changes without further notice to any product herein. JCET does not assume any liability arising out of the application or use of any product described herein.

SOT-89-3L Tape and Reel

SOT-89-3L Embossed Carrier Tape

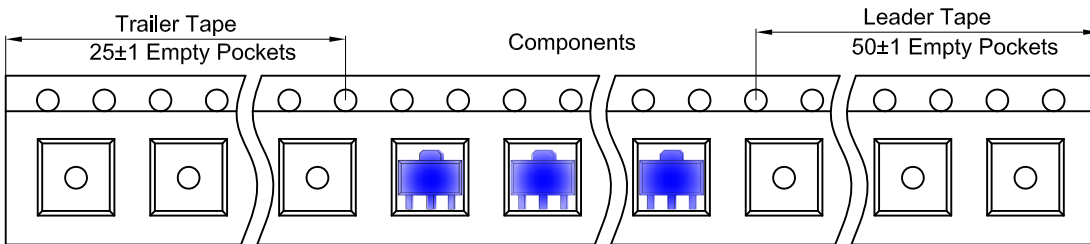


Packaging Description:

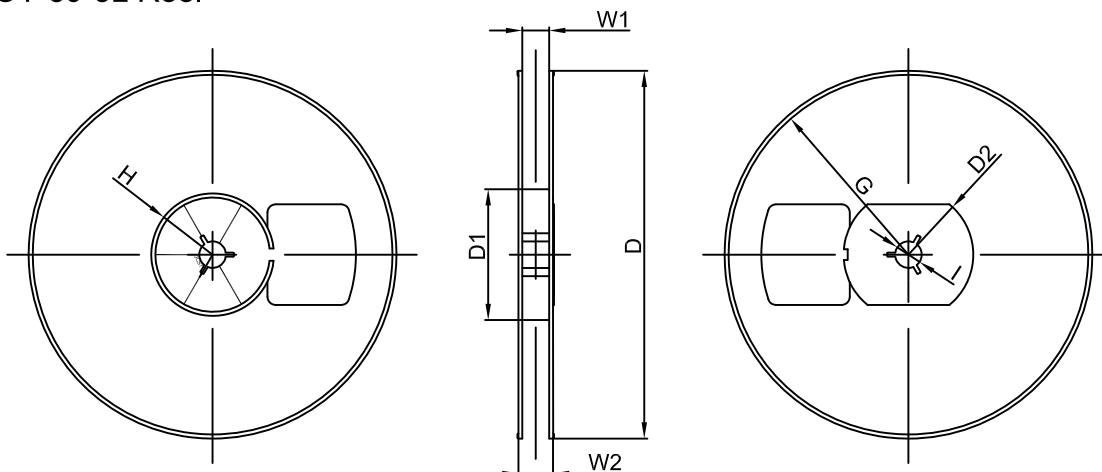
SOT-89-3L parts are shipped in tape. The carrier tape is made from a dissipative (carbon filled) polycarbonate resin. The cover tape is a multilayer film (Heat Activated Adhesive in nature) primarily composed of polyester film, adhesive layer, sealant, and anti-static sprayed agent. These reeled parts in standard option are shipped with 1,000 units per 7" or 18.0 cm diameter reel. The reels are clear in color and is made of polystyrene plastic (anti-static coated).

Dimensions are in millimeter										
Pkg type	A	B	C	d	E	F	P0	P	P1	W
SOT-89-3L	4.85	4.45	1.85	Ø1.50	1.75	5.50	4.00	8.00	2.00	12.00

SOT-89-3L Tape Leader and Trailer



SOT-89-3L Reel



Dimensions are in millimeter								
Reel Option	D	D1	D2	G	H	I	W1	W2
7" Dia	Ø180.00	60.00	R32.00	R86.50	R30.00	Ø13.00	13.20	16.50

REEL	Reel Size	Box	Box Size(mm)	Carton	Carton Size(mm)	G.W.(kg)
1000 pcs	7 inch	10,000 pcs	203×203×195	40,000 pcs	438×438×220	