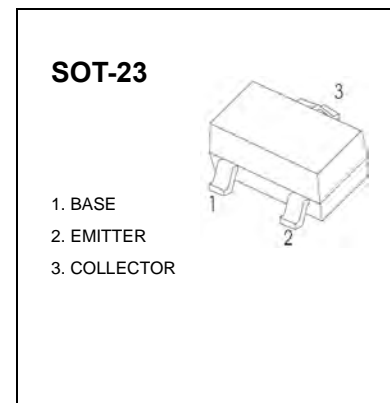


SOT-23 Plastic-Encapsulate Transistors

BC846 TRANSISTOR (NPN)
BC847
BC848

FEATURES

- Ideally suited for automatic insertion
- For switching and AF amplifier applications



MAXIMUM RATINGS (T_a=25°C unless otherwise noted)

Symbol	Parameter	Value	Unit
V _{CB0}	Collector-Base Voltage	BC846	80
		BC847	50
		BC848	30
V _{CEO}	Collector-Emitter Voltage	BC846	65
		BC847	45
		BC848	30
V _{EBO}	Emitter-Base Voltage	6	V
I _c	Collector Current –Continuous	0.1	A
P _c	Collector Power Dissipation	200	mW
R _{θJA}	Thermal Resistance From Junction To Ambient	625	°C/W
T _J	Junction Temperature	150	°C
T _{stg}	Storage Temperature	-55~+150	°C

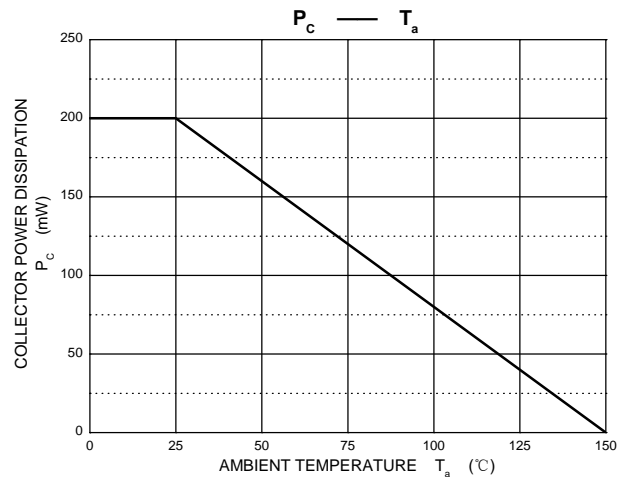
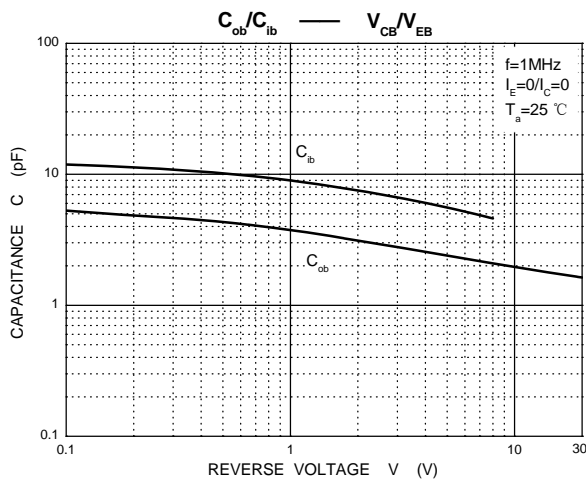
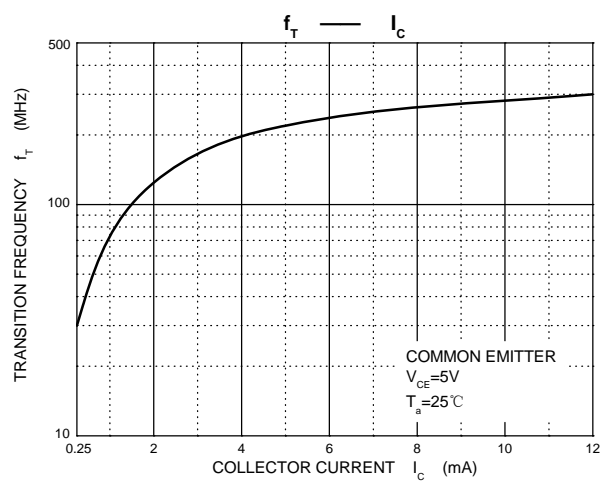
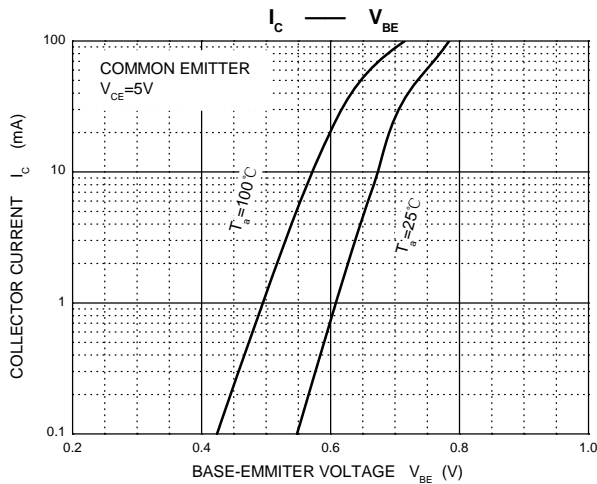
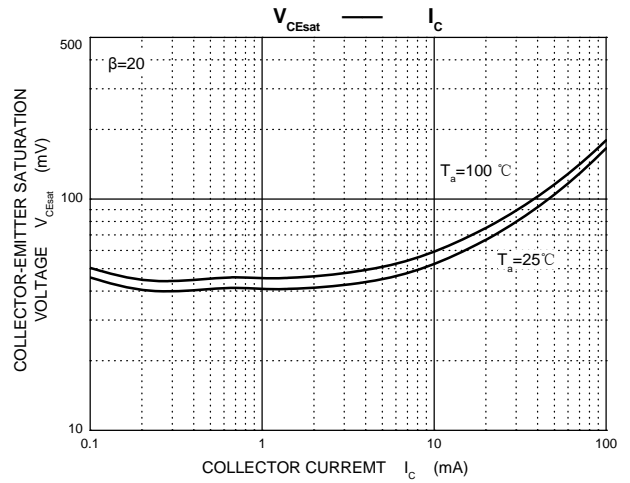
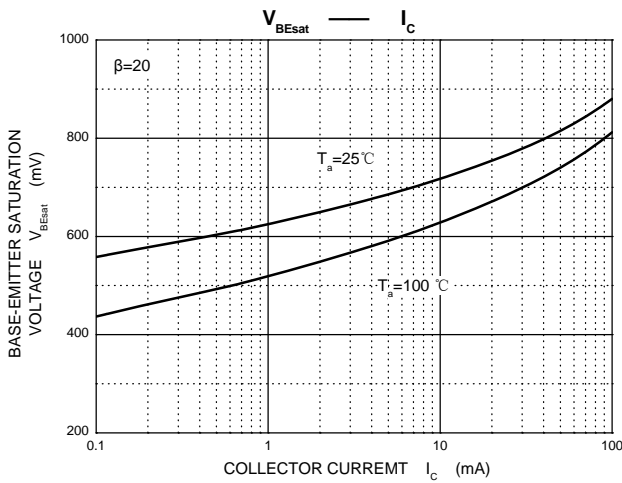
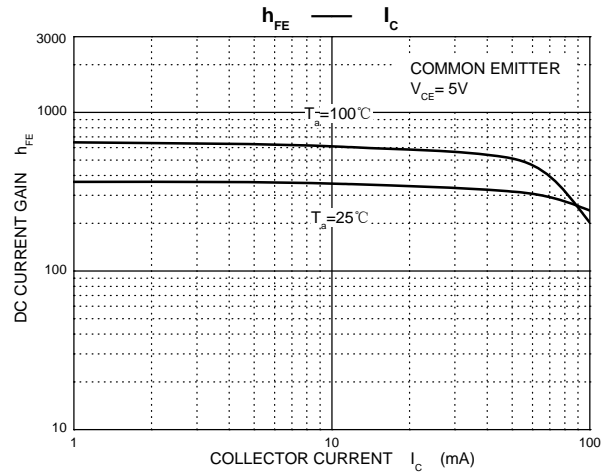
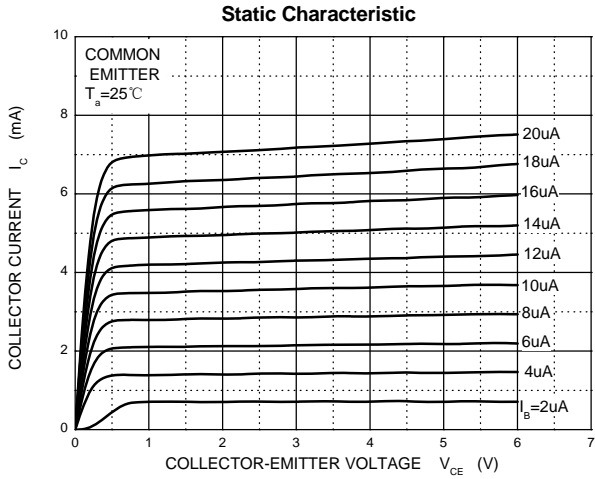
DEVICE MARKING

BC846A=1A; BC846B=1B;
 BC847A=1E; BC847B=1F; BC847C=1G;
 BC848A=1J; BC848B=1K; BC848C=1L

ELECTRICAL CHARACTERISTICS (T_a=25°C unless otherwise specified)

Parameter	Symbol	Test conditions	Min	Typ	Max	Unit		
Collector-base breakdown voltage	BC846	V_{CBO}	$I_C=10\mu A, I_E=0$	80			V	
	BC847			50				
	BC848			30				
Collector-emitter breakdown voltage	BC846	V_{CEO}	$I_C=10mA, I_B=0$	65			V	
	BC847			45				
	BC848			30				
Emitter-base breakdown voltage		V_{EBO}	$I_E=10\mu A, I_C=0$	6			V	
Collector cut-off current	BC846	I_{CBO}	$V_{CB}=70V, I_E=0$			0.1	μA	
	BC847			$V_{CB}=50V, I_E=0$				
	BC848			$V_{CB}=30V, I_E=0$				
Collector cut-off current	BC846	I_{CEO}	$V_{CE}=60V, I_B=0$			0.1	μA	
	BC847			$V_{CE}=45V, I_B=0$				
	BC848			$V_{CE}=30V, I_B=0$				
Emitter cut-off current		I_{EBO}	$V_{EB}=5V, I_C=0$			0.1	μA	
DC current gain	BC846A,847A,848A	h_{FE}	$V_{CE}=5V, I_C=2mA$	110		220		
	BC846B,847B,848B			200		450		
	BC847C,BC848C			420		800		
Collector-emitter saturation voltage		$V_{CE(sat)}$	$I_C=100mA, I_B=5mA$			0.5	V	
Base-emitter saturation voltage		$V_{BE(sat)}$	$I_C=100mA, I_B=5mA$			1.1	V	
Transition frequency		f_T	$V_{CE}=5V, I_C=10mA$ $f=100MHz$	100			MHz	
Collector output capacitance		C_{ob}	$V_{CB}=10V, f=1MHz$			4.5	pF	

Typical Characteristics



SOT-23 Package Outline Dimensions



Symbol	Dimensions In Millimeters		Dimensions In Inches	
	Min	Max	Min	Max
A	0.900	1.150	0.035	0.045
A1	0.000	0.100	0.000	0.004
A2	0.900	1.050	0.035	0.041
b	0.300	0.500	0.012	0.020
c	0.080	0.150	0.003	0.006
D	2.800	3.000	0.110	0.118
E	1.200	1.400	0.047	0.055
E1	2.250	2.550	0.089	0.100
e	0.950 TYP		0.037 TYP	
e1	1.800	2.000	0.071	0.079
L	0.550 REF		0.022 REF	
L1	0.300	0.500	0.012	0.020
θ	0°	8°	0°	8°

SOT-23 Suggested Pad Layout



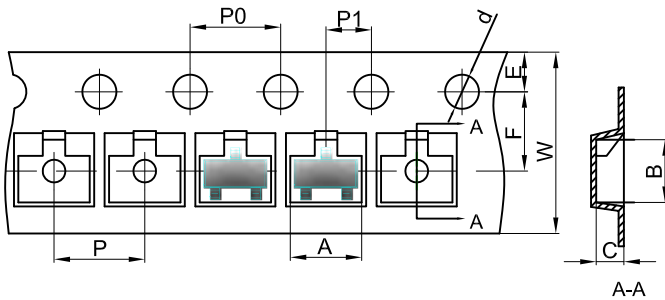
- Note:
1. Controlling dimension: in millimeters.
 2. General tolerance: $\pm 0.05\text{mm}$.
 3. The pad layout is for reference purposes only.

NOTICE

JCET reserve the right to make modifications, enhancements, improvements, corrections or other changes without further notice to any product herein. JCET does not assume any liability arising out of the application or use of any product described herein.

SOT-23 Tape and Reel

SOT-23 Embossed Carrier Tape



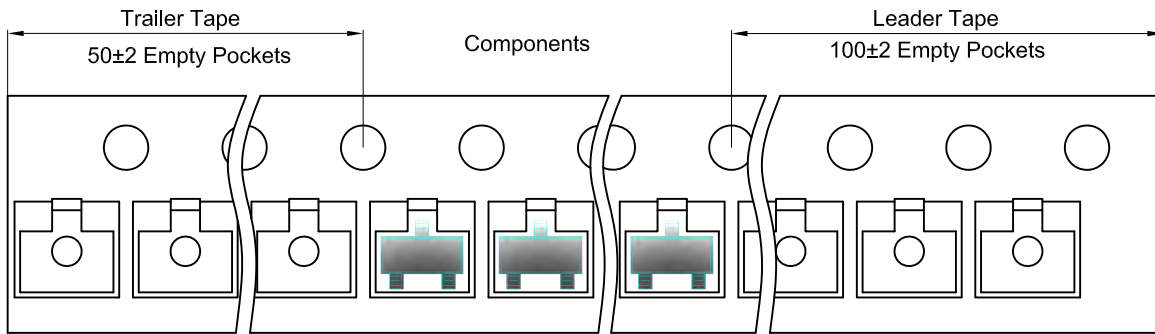
Packaging Description:

SOT-23 parts are shipped in tape. The carrier tape is made from a dissipative (carbon filled) polycarbonate resin. The cover tape is a multilayer film (Heat Activated Adhesive in nature) primarily composed of polyester film, adhesive layer, sealant, and anti-static sprayed agent. These reeled parts in standard option are shipped with 3,000 units per 7" or 17.8cm diameter reel. The reels are clear in color and is made of polystyrene plastic (anti-static coated).

Dimensions are in millimeter

Pkg type	A	B	C	d	E	F	P0	P	P1	W
SOT-23	3.15	2.77	1.22	Ø1.50	1.75	3.50	4.00	4.00	2.00	8.00

SOT-23 Tape Leader and Trailer



SOT-23 Reel



Dimensions are in millimeter

Reel Option	D	D1	D2	G	H	I	W1	W2
7"Dia	Ø178.00	54.40	13.00	R78.00	R25.60	R6.50	9.50	12.30

REEL	Reel Size	Box	Box Size(mm)	Carton	Carton Size(mm)	G.W.(kg)
3000 pcs	7 inch	45,000 pcs	203×203×195	180,000 pcs	438×438×220	