

TO-92 Plastic-Encapsulate Transistors

BC636,BC638,BC640 TRANSISTOR (PNP)

FEATURES

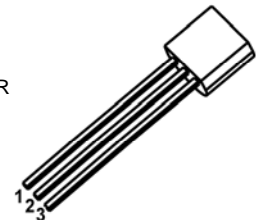
High current transistors

MAXIMUM RATINGS (T_a=25°C unless otherwise noted)

Symbol	Parameter	Value	Unit
V _{CBO}	Collector-Base Voltage	BC636	-45
		BC638	-60
		BC640	-100
V _{CEO}	Collector-Emitter Voltage	BC636	-45
		BC638	-60
		BC640	-80
V _{EBO}	Emitter-Base Voltage	-5	V
I _C	Collector Current -Continuous	-1	A
P _C	Collector Power Dissipation	0.83	W
R _{θJA}	Thermal Resistance, junction to Ambient	150	°C/W
T _J	Junction Temperature	150	°C
T _{stg}	Storage Temperature	-55-150	°C

TO-92

1. EMITTER
2. COLLECTOR
3. BASE



ELECTRICAL CHARACTERISTICS (T_a=25°C unless otherwise specified)

Parameter	Symbol	Test conditions	Min	Typ	Max	Unit
Collector-base breakdown voltage	V _{(BR)CBO}	I _C =-100μA, I _E =0	BC636	-45		V
			BC638	-60		
			BC640	-100		
Collector-emitter breakdown voltage	V _{(BR)CEO}	I _C =-1mA, I _B =0	BC636	-45		V
			BC638	-60		
			BC640	-80		
Emitter-base breakdown voltage	V _{(BR)EBO}	I _E =-100μA, I _C =0	-5			V
Collector cut-off current	I _{CBO}	V _{CB} =-30V, I _E =0			-0.1	μA
Emitter cut-off current	I _{EBO}	V _{EB} = -5V, I _C =0			- 0.1	μA
DC current gain	h _{FE(1)}	V _{CE} = -2V, I _C =- 5mA	40			
	h _{FE(2)}	V _{CE} = -2V, I _C =- 150mA	63		250	
	h _{FE(3)}	V _{CE} = -2V, I _C =- 500mA	25			
Collector-emitter saturation voltage	V _{CE(sat)}	I _C =- 500mA, I _B = -50mA			-0.5	V
Base-emitter voltage	V _{BE}	V _{CE} = -2V, I _C = -500mA			- 1	V
Transition frequency	f _T	V _{CE} = -5V, I _C =- 50mA, f=100MHZ	100			MHZ

CLASSIFICATION OF h_{FE(2)}

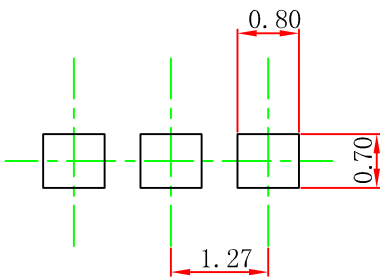
Rank	BC636-10	BC636-16, BC638-16, BC640-16
Range	63-160	100-250

TO-92 Package Outline Dimensions



Symbol	Dimensions In Millimeters		Dimensions In Inches	
	Min	Max	Min	Max
A	3.300	3.700	0.130	0.146
A1	1.100	1.400	0.043	0.055
b	0.380	0.550	0.015	0.022
c	0.360	0.510	0.014	0.020
D	4.300	4.700	0.169	0.185
D1	3.430		0.135	
E	4.300	4.700	0.169	0.185
e	1.270 TYP		0.050 TYP	
e1	2.440	2.640	0.096	0.104
L	14.100	14.500	0.555	0.571
Φ		1.600		0.063
h	0.000	0.380	0.000	0.015

TO-92 Suggested Pad Layout



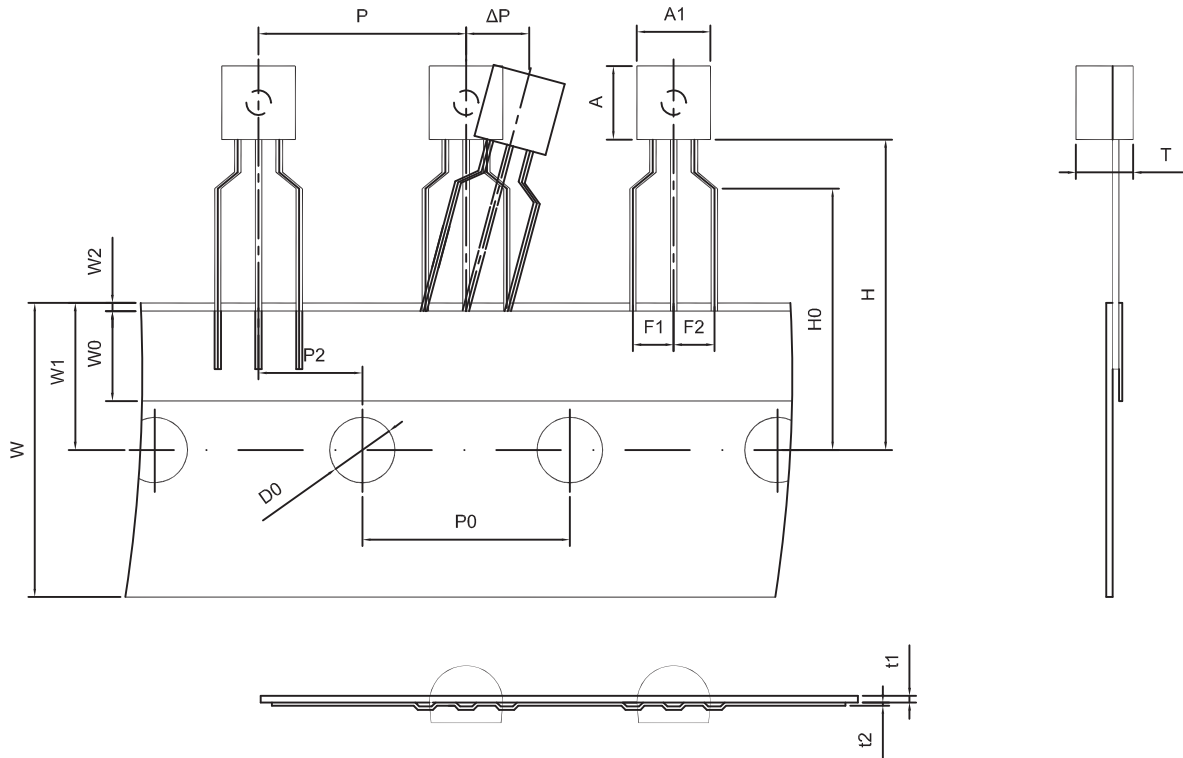
Note:

1. Controlling dimension: in millimeters.
2. General tolerance: $\pm 0.05\text{mm}$.
3. The pad layout is for reference purposes only.

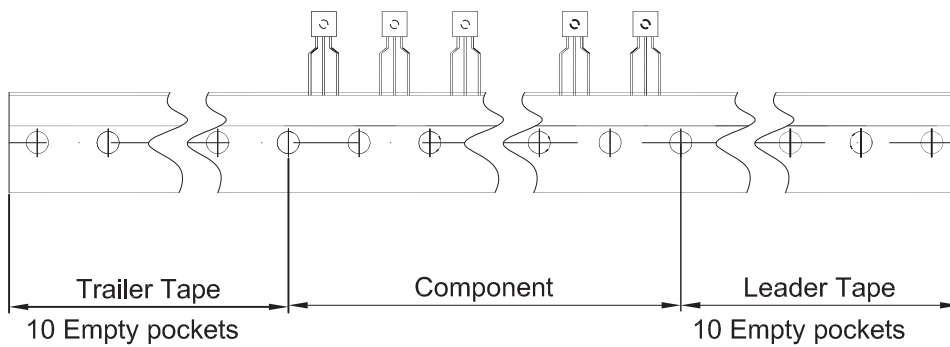
NOTICE

JCET reserve the right to make modifications, enhancements, improvements, corrections or other changes without further notice to any product herein. JCET does not assume any liability arising out of the application or use of any product described herein.

TO-92 PACKAGE TAPEING DIMENSION



Dimiensions are in millimeter								
A1	A	T	P	P0	P2	F1	F2	W
4.5	4.5	3.5	12.7	12.7	6.35	2.5	2.5	18.0
W0	W1	W2	H	H0	D0	t1	t2	ΔP
6.0	9.0	1.0 MAX.	19.0	16.0	4.0	0.4	0.2	0



Package	Box	Box Size(mm)	Carton	Carton Size(mm)
TO-92	2000 pcs	333×162×43	20,000 pcs	350×340×250