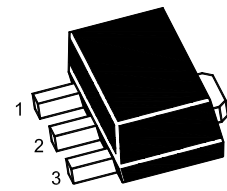


# 78L12U

## 3-Terminal Positive Voltage Regulator



1.OUT 2.GND 3.IN  
SOT-89 Plastic Package

### Absolute Maximum Ratings ( $T_a = 25^\circ\text{C}$ )

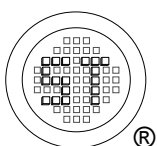
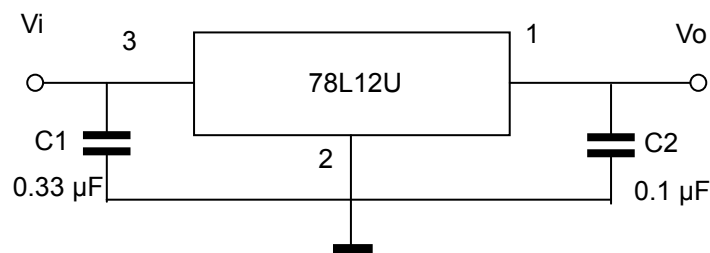
Parameter	Symbol	Rating	Unit
Input Voltage	$V_i$	35	V
Power Dissipation	$P_{tot}$	800 <sup>1)</sup>	mW
Operating Temperature	$T_{opr}$	- 20 to + 120	$^\circ\text{C}$
Storage Temperature Range	$T_{stg}$	- 55 to +150	$^\circ\text{C}$

<sup>1)</sup> 15 mm x 25 mm x 0.7 mm alumina ceramic board,  $T_a \leq 25^\circ\text{C}$

### Electrical Characteristics ( $T_a = 25^\circ\text{C}$ )

(Unless otherwise specified,  $0^\circ\text{C} \leq T_j \leq 125^\circ\text{C}$ ,  $V_i = 19\text{ V}$ ,  $I_o = 40\text{ mA}$ ,  $C_1 = 0.33\ \mu\text{F}$ ,  $C_o = 0.1\ \mu\text{F}$ )

Parameter	Symbol	Test Condition	Min.	Typ.	Max.	Unit
Output Voltage	$V_o$	$T_j = 25^\circ\text{C}$	11.5	12	12.5	V
		$14.5\text{ V} \leq V_i \leq 27\text{ V}$ , $1\text{ mA} \leq I_o \leq 40\text{ mA}$	11.4	-	12.6	V
		$V_i = 19\text{ V}$ , $1\text{ mA} \leq I_o \leq 70\text{ mA}$	11.4	-	12.6	V
Line Regulation	Regline	$14.5\text{ V} \leq V_i \leq 27\text{ V}$ , $T_j = 25^\circ\text{C}$	-	-	250	mV
		$16\text{ V} \leq V_i \leq 27\text{ V}$ , $T_j = 25^\circ\text{C}$	-	-	200	
Load Regulation	Regload	$1\text{ mA} \leq I_o \leq 100\text{ mA}$ , $T_j = 25^\circ\text{C}$	-	-	100	mV
		$1\text{ mA} \leq I_o \leq 40\text{ mA}$ , $T_j = 25^\circ\text{C}$	-	-	50	
Quiescent Current	$I_q$	$T_j = 25^\circ\text{C}$	-	-	6	mA
Quiescent Current Change	$\Delta I_q$	$16\text{ V} \leq V_i \leq 27\text{ V}$	-	-	1.5	mA
		$1\text{ mA} \leq I_o \leq 40\text{ mA}$	-	-	0.1	
Output Noise Voltage	$V_N$	$10\text{ Hz} \leq f \leq 100\text{ KHz}$ , $T_j = 25^\circ\text{C}$	-	80	-	$\mu\text{V}$
Ripple Rejection	RR	$f = 120\text{ Hz}$ , $15\text{ V} \leq V_i \leq 25\text{ V}$ , $T_j = 25^\circ\text{C}$	37	-	-	dB
Dropout Voltage	$V_{Drop}$	$T_j = 25^\circ\text{C}$	-	1.7	-	V



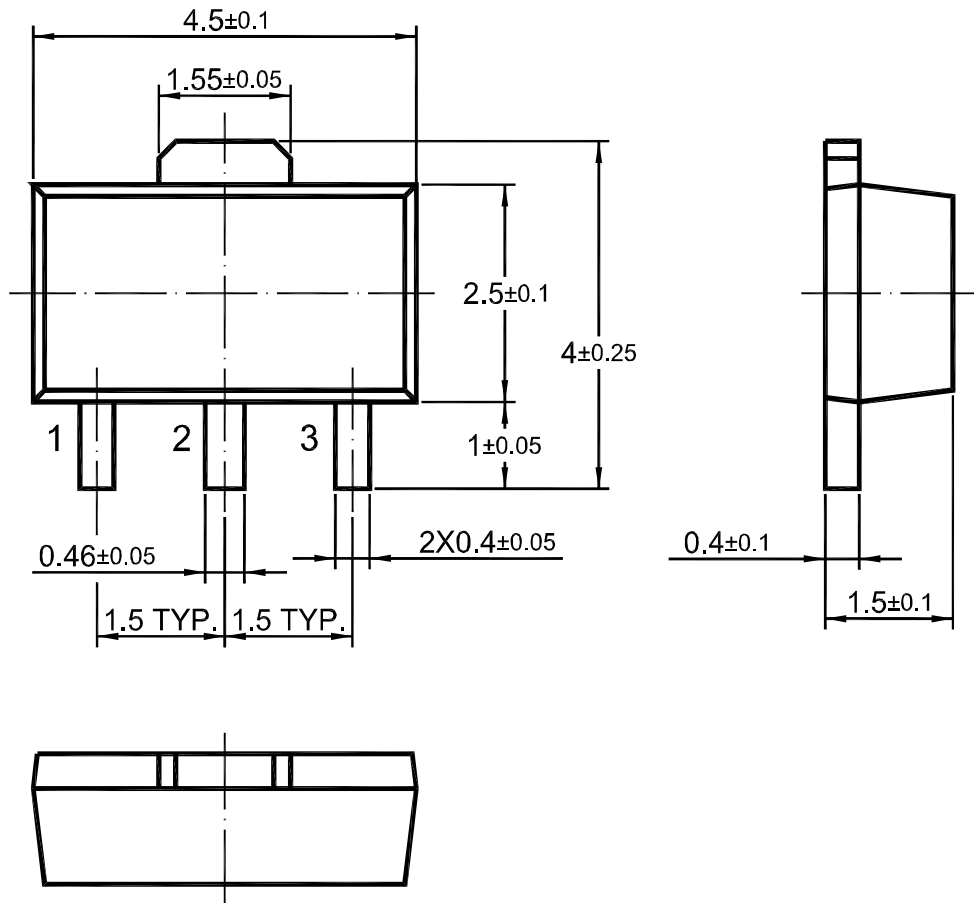
**SEMTECH ELECTRONICS LTD.**



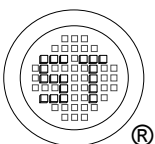
Dated: 25/03/2016 Rev: 02

# 78L12U

## SOT-89 PACKAGE OUTLINE



Dimensions in mm



**SEMTECH ELECTRONICS LTD.**



ISO 9001 : 2008  
Certificate No. 160713009



ISO 14001 : 2004  
Certificate No. 7116



ISO 9001 : 2008  
Certificate No. 50719410



BS-OHSAS 18001 : 2007  
Certificate No. 7116



IECQ QC 080000  
Certificate No. FSC-18P14-148-1

Dated: 25/03/2016 Rev: 02