

TO-92L Plastic-Encapsulate Transistors

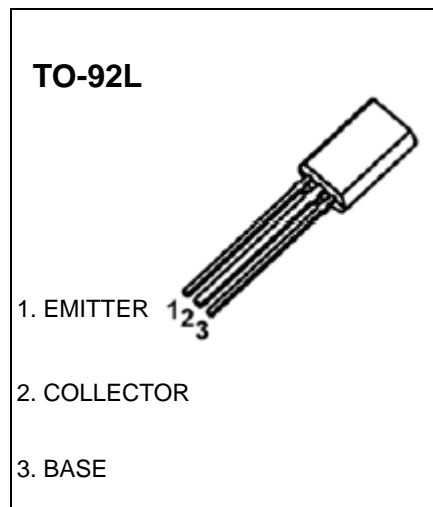
2SC1627A TRANSISTOR (NPN)

FEATURE

- Complementary to 2SA817A
- Driver Stage Application of 30 to 35 Watts Amplifiers

MAXIMUM RATINGS($T_a=25^{\circ}\text{C}$ unless otherwise noted)

Symbol	parameter	Value	Unit
V_{CB0}	Collector-Base Voltage	80	V
V_{CE0}	Collector-Emitter Voltage	80	V
V_{EB0}	Emitter-Base Voltage	5	V
I_C	Collector Current -Continuous	0.4	A
P_C	Collector Power Dissipation	0.75	W
T_j	Junction Temperature	150	$^{\circ}\text{C}$
T_{stg}	Storage Temperature Range	-55-150	$^{\circ}\text{C}$



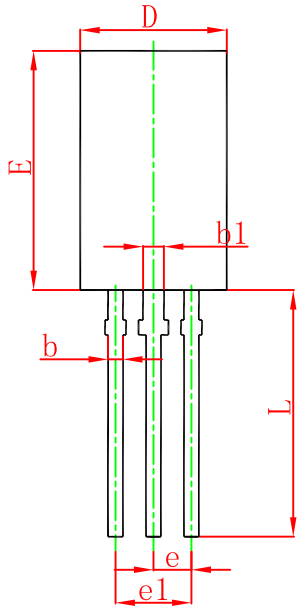
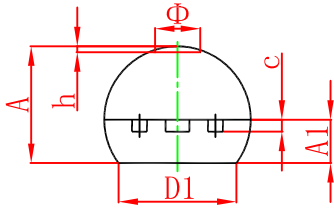
ELECTRICAL CHARACTERISTICS ($T_a=25^{\circ}\text{C}$ unless otherwise specified)

Parameter	Symbol	Test conditions	Min	Typ	Max	Unit
Collector-base breakdown voltage	$V_{(BR)CB0}$	$I_C=100\mu\text{A}$, $I_E=0$	80			V
Collector-emitter breakdown voltage	$V_{(BR)CE0}$	$I_C=5\text{mA}$, $I_B=0$	80			V
Emitter-base breakdown voltage	$V_{(BR)EB0}$	$I_E=100\mu\text{A}$, $I_C=0$	5			V
Collector cut-off current	I_{CBO}	$V_{CB}=50\text{V}$, $I_E=0$			0.1	μA
Emitter cut-off current	I_{EBO}	$V_{EB}=5\text{V}$, $I_C=0$			0.1	μA
DC current gain	$h_{FE(1)}$	$V_{CE}=2\text{V}$, $I_C=50\text{mA}$	70		240	
	$h_{FE(2)}$	$V_{CE}=2\text{V}$, $I_C=200\text{mA}$	40			
Collector-emitter saturation voltage	$V_{CE(sat)}$	$I_C=200\text{mA}$, $I_B=20\text{mA}$			0.4	V
Base-emitter voltage	$V_{BE(on)}$	$V_{CE}=2\text{V}$, $I_C=5\text{mA}$	0.55		0.8	V
Transition frequency	f_T	$V_{CE}=10\text{V}$, $I_C=10\text{mA}$		100		MHz

CLASSIFICATION OF $h_{FE(1)}$

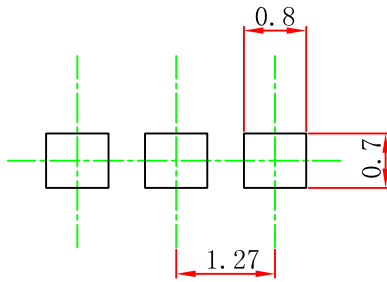
Rank	O	Y
Range	70-140	120-240

TO-92L Package Outline Dimensions



Symbol	Dimensions In Millimeters		Dimensions In Inches	
	Min.	Max.	Min.	Max.
A	3.750	4.050	0.148	0.159
A1	1.280	1.580	0.050	0.062
b	0.380	0.550	0.015	0.022
b1	0.620	0.780	0.024	0.031
c	0.350	0.450	0.014	0.018
D	4.750	5.050	0.187	0.199
D1	4.000		0.157	
E	7.850	8.150	0.309	0.321
e	1.270 TYP.		0.050 TYP.	
e1	2.440	2.640	0.096	0.104
L	13.800	14.200	0.543	0.559
Φ		1.600		0.063
h	0.000	0.300	0.000	0.012

TO-92L Suggested Pad Layout



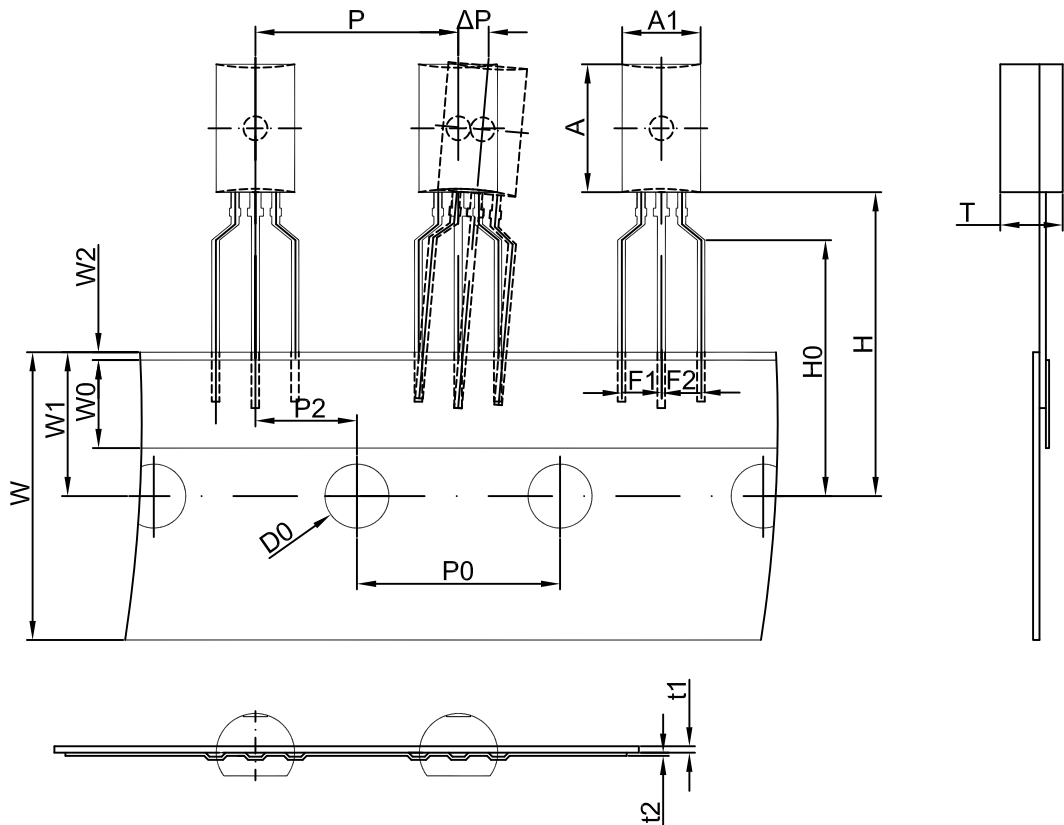
Note:

1. Controlling dimension: in millimeters.
2. General tolerance: ± 0.05 mm.
3. The pad layout is for reference purposes only.

NOTICE

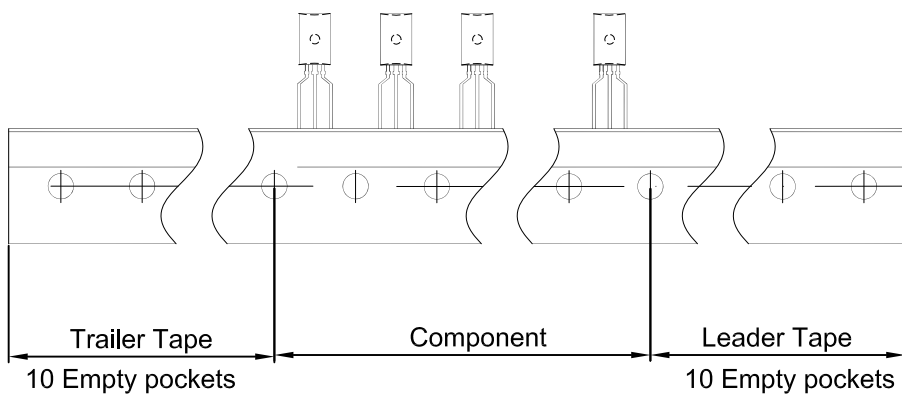
JCET reserve the right to make modifications, enhancements, improvements, corrections or other changes without further notice to any product herein. JCET does not assume any liability arising out of the application or use of any product described herein.

TO-92L PACKAGE TAPEING DIMENSION



Dimensions are in millimeter

A1	A	T	P	P0	P2	F1	F2	W
4.9	8.0	3.9	12.7	12.7	6.35	2.5	2.5	18.0
W0	W1	W2	H	H0	D0	t1	t2	ΔP
6.0	9.0	1.0	19.0	16.0	4.0	0.4	0.2	0



Package	Box	Box Size(mm)	Carton	Carton Size(mm)
TO-92L	2000 pcs	333×203×42	20,000 pcs	493×400×264