

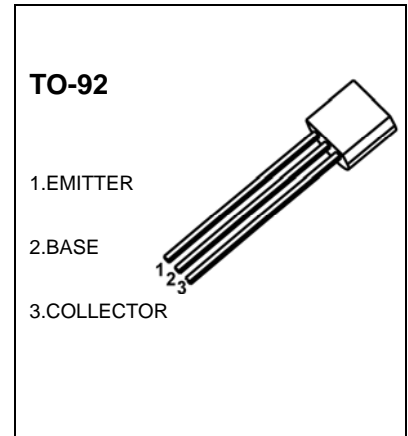


TO-92 Plastic-Encapsulate Transistors

2N5400 TRANSISTOR (PNP)

FEATURE

- **Switching and Amplification in High Voltage**
Applications such as Telephony
- **Low Current(max. 600mA)**
- **High Voltage(max.130v)**



MAXIMUM RATINGS (T_a=25°C unless otherwise noted)

Symbol	Parameter	Value	Unit
V _{CB0}	Collector-Base Voltage	-130	V
V _{CE0}	Collector-Emitter Voltage	-120	V
V _{EBO}	Emitter-Base Voltage	-5	V
I _c	Collector Current -Continuous	-0.6	A
P _C	Collector Power Dissipation	0.625	W
T _j	Junction Temperature	150	°C
T _{stg}	Storage Temperature	-55-150	°C

ELECTRICAL CHARACTERISTICS (T_a=25°C unless otherwise specified)

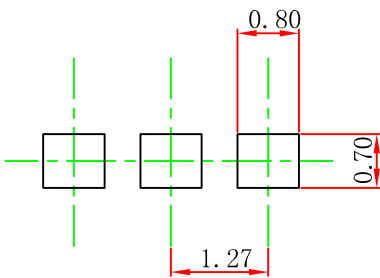
Parameter	Symbol	Test conditions	Min	Typ	Max	Unit
Collector-base breakdown voltage	V _{(BR)CB0}	I _C =-100μA, I _E =0	-130			V
Collector-emitter breakdown voltage	V _{(BR)CE0}	I _C =-1mA, I _B =0	-120			V
Emitter-base breakdown voltage	V _{(BR)EBO}	I _E = -10μA, I _C =0	-5			V
Collector cut-off current	I _{CB0}	V _{CB} = -100 V, I _E =0			-0.1	μA
Emitter cut-off current	I _{EBO}	V _{EB} = -3 V, I _C =0			-0.1	μA
DC current gain	h _{FE1}	V _{CE} = -5 V, I _C =-1mA	30			
	h _{FE2}	V _{CE} = -5 V, I _C = -10mA	40		180	
	h _{FE3}	V _{CE} = -5 V, I _C =-50mA	40			
Collector-emitter saturation voltage	V _{CE(sat)}	I _C = -10mA, I _B = -1mA			-0.2	V
	V _{CE(sat)}	I _C = -50mA, I _B = -5mA			-0.5	V
Base-emitter saturation voltage	V _{BE(sat)}	I _C = -10mA, I _B = -1mA			-1	V
	V _{BE(sat)}	I _C = -50mA, I _B = -5mA			-1	V
Transition frequency	f _T	V _{CE} =-10V, I _C =-10mA f =30MHz	100			MHz
Collector output capacitance	C _{ob}	V _{CB} =-10V, I _E =0, f=1MHz			6	pF

TO-92 Package Outline Dimensions



Symbol	Dimensions In Millimeters		Dimensions In Inches	
	Min	Max	Min	Max
A	3.300	3.700	0.130	0.146
A1	1.100	1.400	0.043	0.055
b	0.380	0.550	0.015	0.022
c	0.360	0.510	0.014	0.020
D	4.300	4.700	0.169	0.185
D1	3.430		0.135	
E	4.300	4.700	0.169	0.185
e	1.270 TYP		0.050 TYP	
e1	2.440	2.640	0.096	0.104
L	14.100	14.500	0.555	0.571
Φ		1.600		0.063
h	0.000	0.380	0.000	0.015

TO-92 Suggested Pad Layout



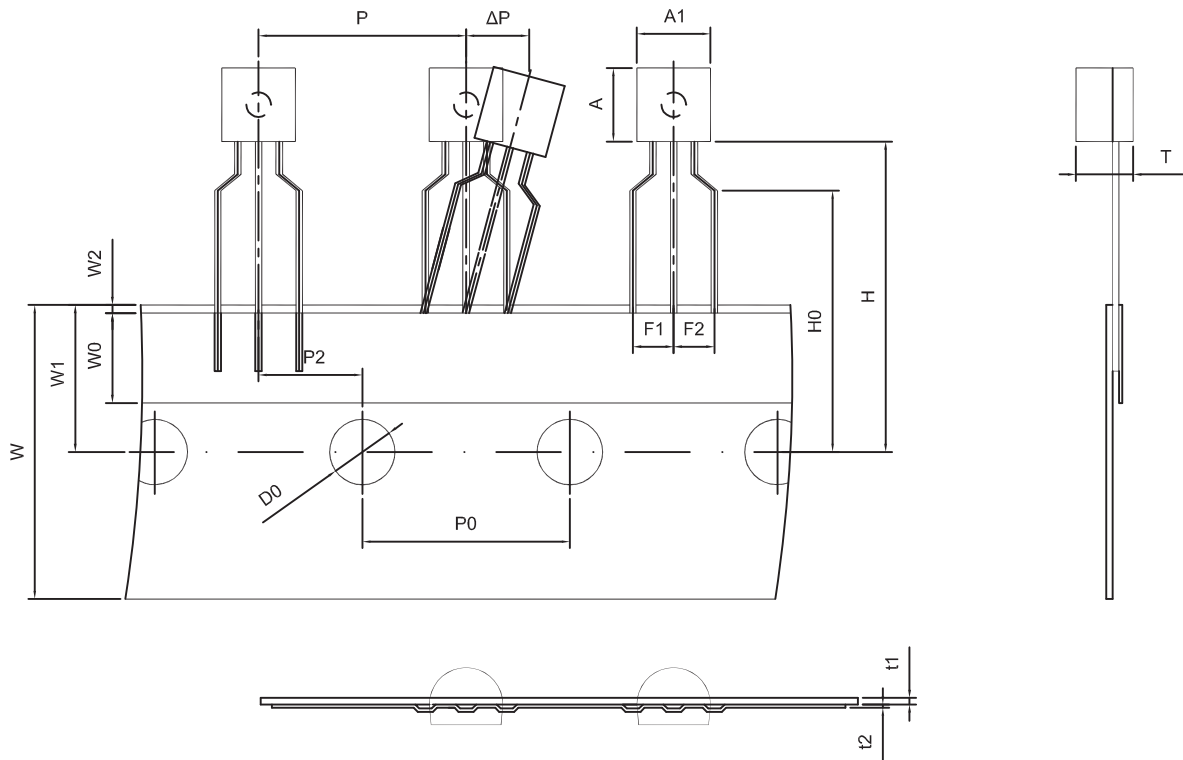
Note:

1. Controlling dimension: in millimeters.
2. General tolerance: $\pm 0.05\text{mm}$.
3. The pad layout is for reference purposes only.

NOTICE

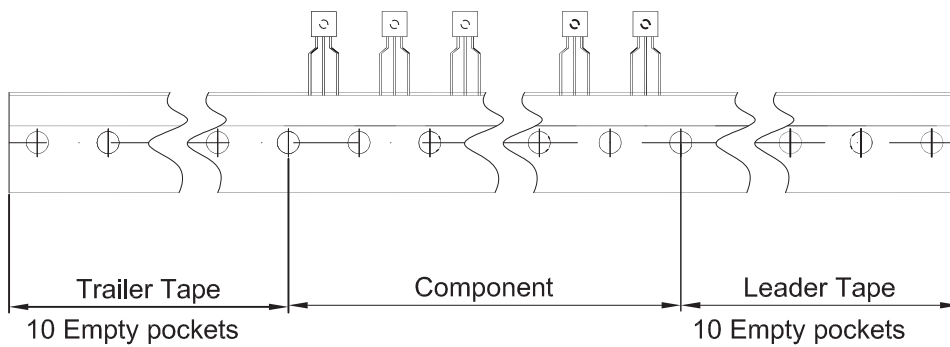
JCET reserve the right to make modifications, enhancements, improvements, corrections or other changes without further notice to any product herein. JCET does not assume any liability arising out of the application or use of any product described herein.

TO-92 PACKAGE TAPING DIMENSION



Dimiensions are in millimeter

A1	A	T	P	P0	P2	F1	F2	W
4.5	4.5	3.5	12.7	12.7	6.35	2.5	2.5	18.0
W0	W1	W2	H	H0	D0	t1	t2	ΔP
6.0	9.0	1.0 MAX.	19.0	16.0	4.0	0.4	0.2	0



Package	Box	Box Size(mm)	Carton	Carton Size(mm)
TO-92	2000 pcs	333×162×43	20,000 pcs	350×340×250